



# Emergency Medium Power Tri-proof Lamp A2 Series

ArcS II A2

TP-020/040/050-AW-XX-A2-YY



## Description :

Tri-proof light is usually used in environment which require water-proof,dust-proof,slight corrosion-proof lighting, and it is widely used in shoppingmall, warehouse and other indoor places. Tri-proof light of medium power can be ceilingmounted or suspending installed. Adopt PC as the material which ensure that it can work stablyin different environment.LED lifespan:50,000 hours.The lamp should be equipped with emergency power supply,emergency test button and indicator light;when power on,press test button to test whether the emergency function of lamp is normal or not,suitable for occasions require emergency lighting.

## Features :

1. Knob buckle,convenient to operate,anti-loose bumps, more safe;
2. Independent mounting plate of power supply, separated from lamp panel, good cooling effect;
3. Screwless wire connection, tool free (press type wiring );
4. Power supply cooling via metal shell, and tadtional shell is made of plastic;
5. Glass fiber casing, scratch-resistant wire;
6. Add pressing wire plate to AC,pull resistant and practical; add wire ring to DC, simple;
7. Milky white cover and strips cover optional;
8. Plastic buckle and metal buckle optional;
9. Plastic PG11 and quick-connect terminal optional;
- 10.High transmittance top cover, high lighting effect,uniform and soft light;
- 11.Plastic shell, low weight,suitable for ceiling and suspendent installation;
- 12.PC cover,impact resistance,IK08;
- 13.Operating environment temperature: -20 °C - 35°C ;
- 14.Corrosion-proof grade: slight protection;
- 15.The lamp is equipped with emergency power supply,when power failure,the lamp can continue to work 3 hours at 30% brightness, charging time ≤ 24 hours.



## Technical parameters :

Mode	CCT	Color	Lumen(lm) (±10%)	Beam angle	LED Type	Voltage frequency	Power(w) (±10%)	Max. current (A)	CRI	PF
TP-020-AW-W-A2-05	5500-6500K	white	1860	120°	SMD2835	AC220-240V 50/60Hz	20	0.12A	≥ 80	≥ 0.9
TP-020-AW-NW-A2-05	4000-4500K	neutral white	1770							
TP-020-AW-WW-A2-05	2700-3200K	warm white	1680							
TP-020-AW-W-A2-06	5500-6500K	white	1990							
TP-020-AW-NW-A2-06	4000-4500K	neutral white	1890							
TP-020-AW-WW-A2-06	2700-3200K	warm white	1800							
TP-040-AW-W-A2-05	5500-6500K	white	3900	120°	SMD2835	AC220-240V 50/60Hz	40	0.25A	≥ 80	≥ 0.9
TP-040-AW-NW-A2-05	4000-4500K	neutral white	3820							
TP-040-AW-WW-A2-05	2700-3200K	warm white	3630							
TP-040-AW-W-A2-06	5500-6500K	white	4250							
TP-040-AW-NW-A2-06	4000-4500K	neutral white	4090							
TP-040-AW-WW-A2-06	2700-3200K	warm white	3880							
TP-050-AW-W-A2-05	5500-6500K	white	4630	120°	SMD2835	AC220-240V 50/60Hz	50	0.3A	≥ 80	≥ 0.9
TP-050-AW-NW-A2-05	4000-4500K	neutral white	4400							
TP-050-AW-WW-A2-05	2700-3200K	warm white	4190							
TP-050-AW-W-A2-06	5500-6500K	white	4850							
TP-050-AW-NW-A2-06	4000-4500K	neutral white	4710							
TP-050-AW-WW-A2-06	2700-3200K	warm white	4480							

05=Emergency lamp with milky white cover series

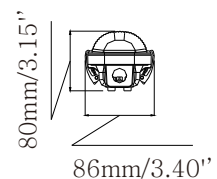
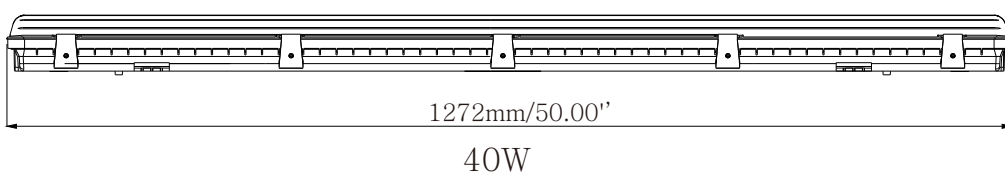
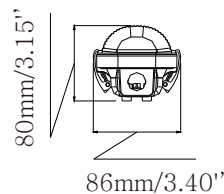
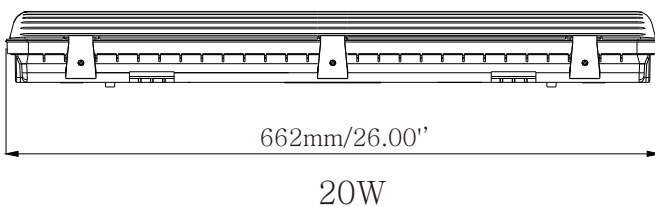
06=Emergency lamp with stripe cover series

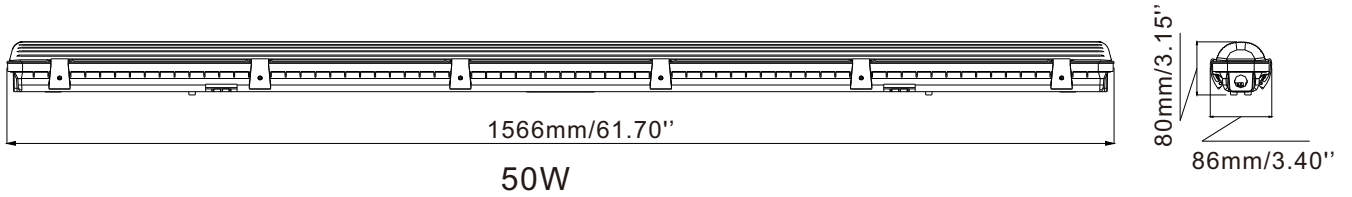
### Main application:

Tri-proof light can be used in warehouse, parking lot, shopping mall, farm, food factory, cold storage, metro, underground passage and other places.



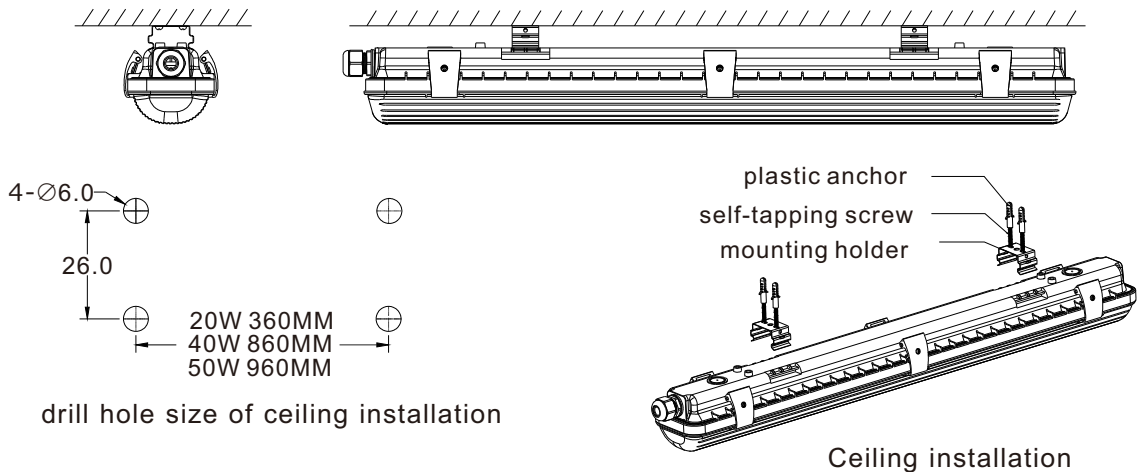
### Dimension (Unit:mm):





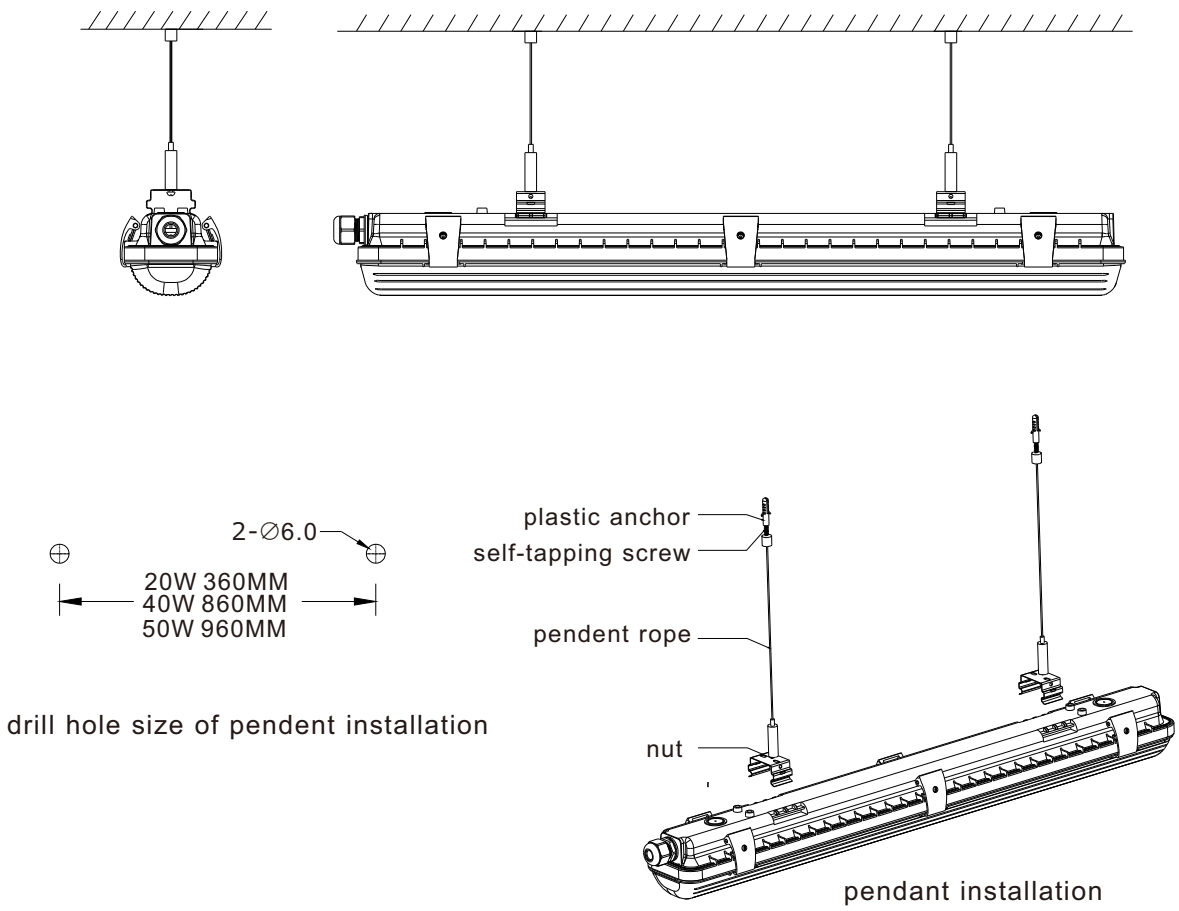
### Installation figure:

#### Ceiling installation A



drill hole size of ceiling installation

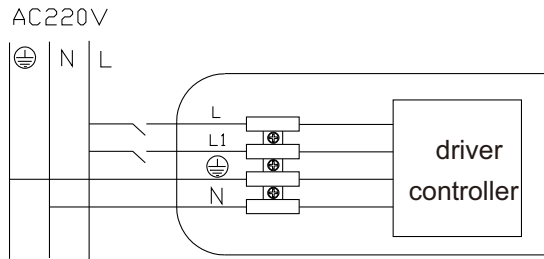
#### Suspendent installation B



drill hole size of pendent installation



## Connection diagram:



L: input end of emergency power wire L

L1:input end of lighting power wire

Remark: according to requirement ,connect different L power terminal to realize lighting or emergency function.

## Package information :

Power	Inner packaging dimension	Outer carton dimension	Net weight	Gross weight	Qty.
20W	20W: 700*85*85mm	20W: 720*360*290mm	1.25Kg	1.50Kg	12pcs/ Carton
40W	40W: 1315*85*85mm	40W: 1345*270*200mm	2.20Kg	2.60Kg	6pcs/ Carton
50W	50W: 1615*85*85mm	50W: 1640*270*200mm	2.50Kg	3.00kg	6pcs/ Carton

## Installation requirement:

- 1.Power off before installation;
- 2.First make sure the installation material can endure the weight of light,securely fix the lamp on the installation surface with bolts, then fix the light to the hook of clamp with bolts;
- 3.Connect the lamp wire to the wire of power supply, and process the joint with insulation sealing;
- 4.If you choose suspension installation, please first fix the steel wire on the installation surface, then fix the lamp body to the ring of steel wire with joint finally adjust the length of steel wire.

## ! Notice:

- 1.Please first read the product specification carefully, make sure the using environment conform to specification, then it can be used;
- 2.Please confirm input voltage,frequency before use;
- 3.The lamp must be installed by professionals;
- 4.If there is any damage to the power wire or shell of the product, it should be taken as defective product and do not use it;
5. Dangerous high voltage,non-professionals are not allowed to maintain the product;
6. If external soft cable or soft wire of the light is damaged, it should be replaced by manufacturer or service agent or personnel with similar qualification to avoid danger;
7. When connect wire of AC, the terminal shouldn't press to external skin, ensure good contact;
8. Please do not let water enter the internal, please do not knock against the LEDs' surface;
9. Corrosivity in the using environment can't exceed the anti-corrosion grade regulation, if you have special requirement, please first consult with our company.