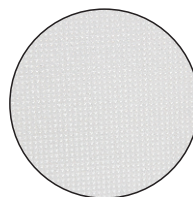




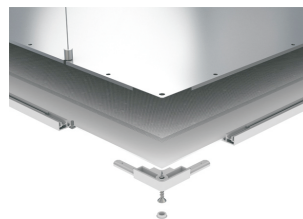
LED Panel Light(UGR<19)



1. Flat frame with Ral9003 white color, no any slight gap at the junction part.



2. Specially designed Micro prismatic diffuser ensures UGR19 of light distribution.



Bending aluminum back cover design easy installation design for suspended and surface mounted

Description

LED Square Panel Light . Using Light Guide Plate, it has the feature of uniform and smooth light beam, low glare, low light pollution, and excellent protection from eyestrain. It can be widely used as interior lighting in shops, supermarkets, malls and hospitals, etc

Features

1. Visual uniformity

- The edge-lit LED panels blend with various ceiling details and produce soft natural light

2. Low glare lighting

- The edge mounted LEDs give even glare free special illumination. It produces a comfortable lighting environment.

3. LED efficiency

- High lumen LED efficacy paired with high power factor drivers reduce operating cost.

4. Luminaire construction

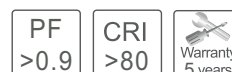
- A powder coat painted extruded aluminum frame encompasses the perimeter of multi-layered acrylic panel system.

5. Cost and energy saving

- 50% more energy saving effect than fluorescent tubes.
- Low heat generation, extra energy saving effect through reduction of HVAC load.
- Easy installation: only 3 steps in 2 minutes, labor cost saving
- Around 9.5mm lamp body with very light weight, space and transportation cost saving

6. Long life time

- More than 50,000 hours life time and 5 years warranty.





Specifications

| Model | CCT | Color | LED Type | Lumen(lm) (±10%) | CRI | Beam angle | Power(W) (±10%) | Voltage (V) | Weight (Kg) | Current (A) | PF |
|------------------------|-------|--------------|----------|---------------------|-----|------------|--------------------|-----------------------|----------------|----------------|-------|
| SC-PSC24CE6060-H35W-01 | 5000K | cool white | | 3259lm | >80 | 110° | | | | | |
| SC-PSC24NE6060-H35W-01 | 4000K | nature white | 2835 | 3093lm | >80 | 110° | 35W | AC100-240V 50/60Hz | 3.93 | 0.5 | >0.95 |
| SC-PSC24WE6060-H35W-01 | 3000K | warm white | | 2850lm | >80 | 110° | | | | | |
| SC-PSC24CE6060-H45W-01 | 5000K | cool white | | 4072lm | >80 | 110° | | | | | |
| SC-PSC24NE6060-H45W-01 | 4000K | nature white | 2835 | 4030lm | >80 | 110° | 45W | AC100-240V 50/60Hz | 3.93 | 0.5 | >0.95 |
| SC-PSC24WE6060-H45W-01 | 3000K | warm white | | 3632lm | >80 | 110° | | | | | |

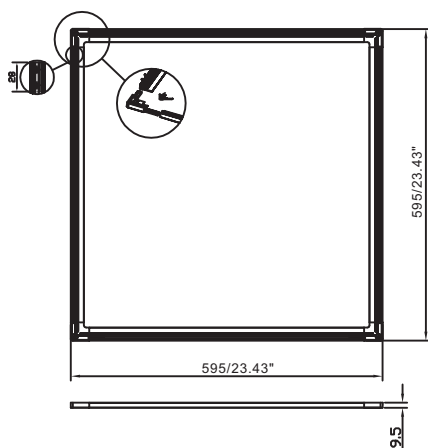
Applications

H Series Square Panel Light can be used in hotels, meeting rooms, factories, offices, commercial purposes, residential, institution buildings, schools, hospitals, places which needs energy saving and high color rendering index lighting.

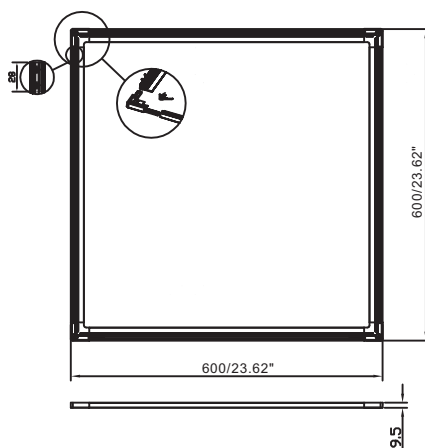


Dimensions (Unit: mm/inch)

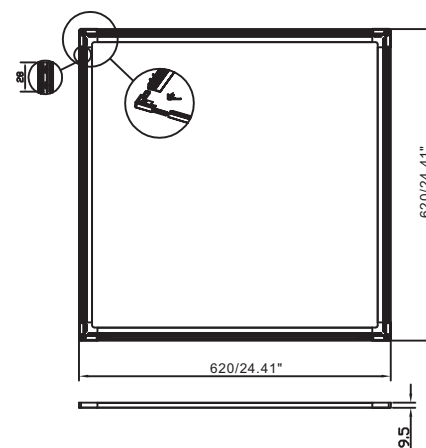
595*595mm



600*600mm



620*620mm



All dimension tolerance is ±0.5mm unless otherwise noted.



Test report for UGR (for more reports please contact sales)

| | | |
|---|------------------|----------------------|
| Test: U: 222.2V I:0.1600A P:32.90W PF:0.9240 Lamp Flux:2849.69x1 lm | | |
| NAME: SC-PSC24WE6060-H35W | TYPE:Panel Light | WEIGHT:3.93 Kg |
| DIM.: 600*600*9.5(MM) | SPEC.:35W | SERIAL No.:01 |
| MFR.: Signcomplex | SUR.:580*580MM | PROTECTION ANGLE:120 |

| | | | | | | | | | | |
|----------------|-----|-----|-----|-----|-----|-----|-----|-----|-----|-----|
| ceiling/cavity | 0.7 | 0.7 | 0.5 | 0.5 | 0.3 | 0.7 | 0.7 | 0.5 | 0.5 | 0.3 |
| walls | 0.5 | 0.3 | 0.5 | 0.3 | 0.3 | 0.5 | 0.3 | 0.5 | 0.3 | 0.3 |
| working plane | 0.2 | 0.2 | 0.2 | 0.2 | 0.2 | 0.2 | 0.2 | 0.2 | 0.2 | 0.2 |

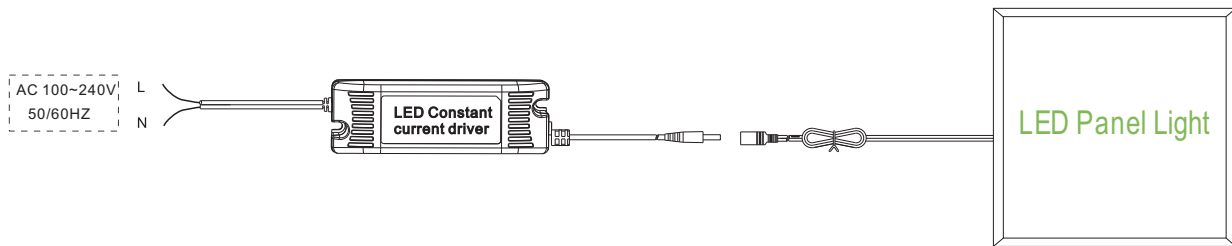
| Room dimensions | viewed crosswise | | | | | viewed endwise | | | | |
|-----------------|------------------|------|------|------|------|----------------|------|------|------|------|
| X = 2H y= 2H | 14.3 | 15.7 | 14.6 | 12.9 | 16.1 | 15.2 | 16.6 | 15.5 | 16.8 | 17.0 |
| 3H | 15.5 | 16.8 | 15.8 | 17.0 | 17.2 | 16.4 | 17.7 | 16.7 | 18.0 | 18.2 |
| 4H | 16.1 | 17.3 | 16.4 | 17.6 | 17.8 | 17.0 | 18.2 | 17.3 | 18.5 | 18.7 |
| 6H | 16.6 | 17.8 | 16.9 | 18.0 | 18.3 | 17.5 | 18.7 | 17.9 | 19.0 | 19.2 |
| 8H | 16.8 | 17.9 | 17.1 | 18.2 | 18.5 | 17.8 | 18.9 | 18.1 | 19.2 | 19.4 |
| 12H | 16.9 | 17.9 | 17.2 | 18.2 | 18.5 | 17.9 | 19.0 | 18.3 | 19.3 | 17.6 |
| 4H 2H | 14.6 | 15.8 | 14.9 | 16.1 | 16.3 | 16.4 | 16.6 | 15.7 | 16.9 | 17.1 |
| 3H | 16.0 | 17.1 | 16.3 | 17.4 | 17.7 | 16.8 | 17.9 | 17.1 | 18.2 | 18.5 |
| 4H | 16.8 | 17.8 | 17.1 | 18.1 | 18.4 | 17.5 | 18.5 | 17.9 | 18.8 | 19.2 |
| 6H | 17.5 | 18.3 | 17.9 | 18.7 | 19.1 | 18.3 | 19.2 | 18.7 | 19.5 | 19.9 |
| 8H | 17.7 | 18.5 | 18.1 | 18.9 | 19.3 | 18.6 | 19.5 | 19.1 | 19.8 | 20.2 |
| 12H | 17.9 | 18.6 | 18.3 | 19.0 | 19.4 | 18.9 | 19.7 | 19.4 | 20.1 | 20.5 |
| 8H 4H | 17.1 | 17.9 | 17.5 | 18.2 | 18.6 | 17.7 | 18.5 | 18.1 | 18.9 | 19.3 |
| 6H | 18.0 | 18.6 | 18.4 | 19.0 | 19.5 | 18.6 | 19.3 | 19.1 | 19.7 | 20.1 |
| 8H | 18.3 | 18.9 | 18.8 | 19.3 | 19.8 | 19.1 | 19.7 | 19.5 | 20.1 | 20.5 |
| 12H | 18.6 | 19.1 | 19.1 | 19.6 | 20.0 | 19.5 | 20.0 | 20.0 | 20.5 | 20.9 |
| 12H 4H | 17.1 | 17.8 | 17.5 | 18.2 | 18.6 | 17.8 | 18.5 | 18.2 | 18.9 | 19.3 |
| 6H | 18.0 | 18.6 | 18.5 | 19.1 | 19.5 | 18.7 | 19.3 | 19.1 | 19.7 | 20.2 |
| 8H | 18.5 | 19.0 | 18.9 | 19.4 | 19.9 | 19.2 | 19.7 | 19.7 | 20.1 | 20.6 |

| | | |
|--|---------------|---------------|
| Variations with the observer position at spacings: | | |
| S = 1.0H | + 0.4 / - 0.4 | + 0.3 / - 0.4 |
| 1.5H | + 0.4 / - 0.5 | + 0.2 / - 0.5 |
| 2.0H | + 0.4 / - 0.4 | + 0.3 / - 0.3 |

CIE Pub.117 Corrected 2850 lm Total Lamp Luminous Flux.(8log(F/FO)=3.6)

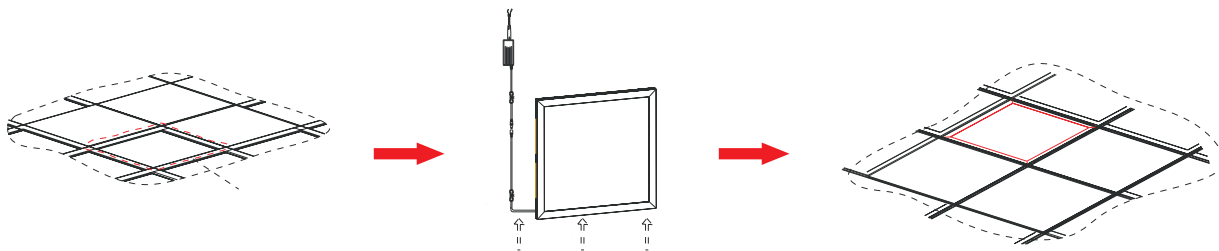


Electrical Connection



Installation Drawing

Schematic diagram for embedded Installation

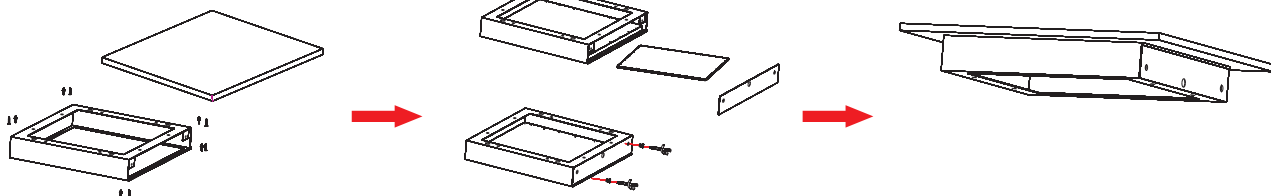


1. move away ceiling plaster slab, then arrange the wire.

2. put through the panel light along ceiling's diagonal and then wiring.

3. fix the panel light to suitable place.

Snap-in Ceiling Installation

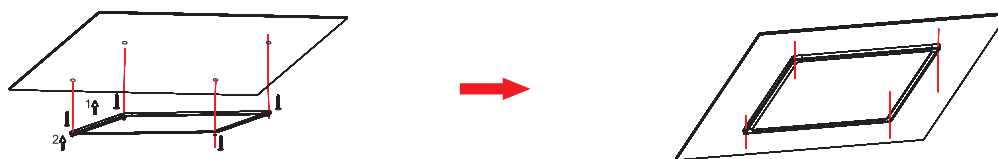


1. Install the bracket in the ceiling.

2. Snap the light in the ceiling bracket, then fasten the side panel with screws.

3. Installation finish.

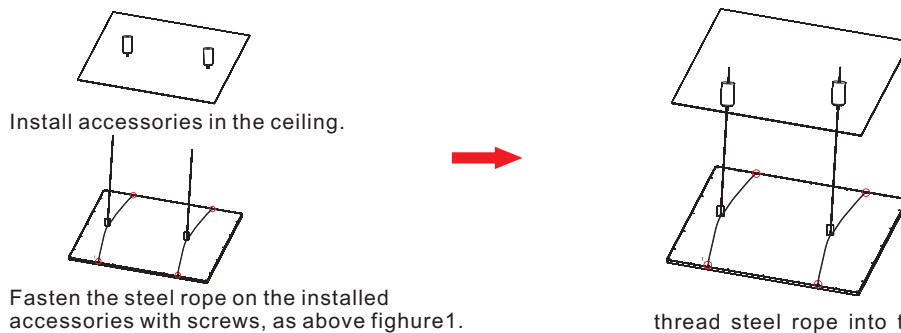
Ceiling Installation



1. Install panel light in the ceiling, and fasten the panel light.

2. After fasten the light, push the plastic buttons in the mounting holes to cover the screws.

Pendant Installation



Fasten the steel rope on the installed accessories with screws, as above figure 1.

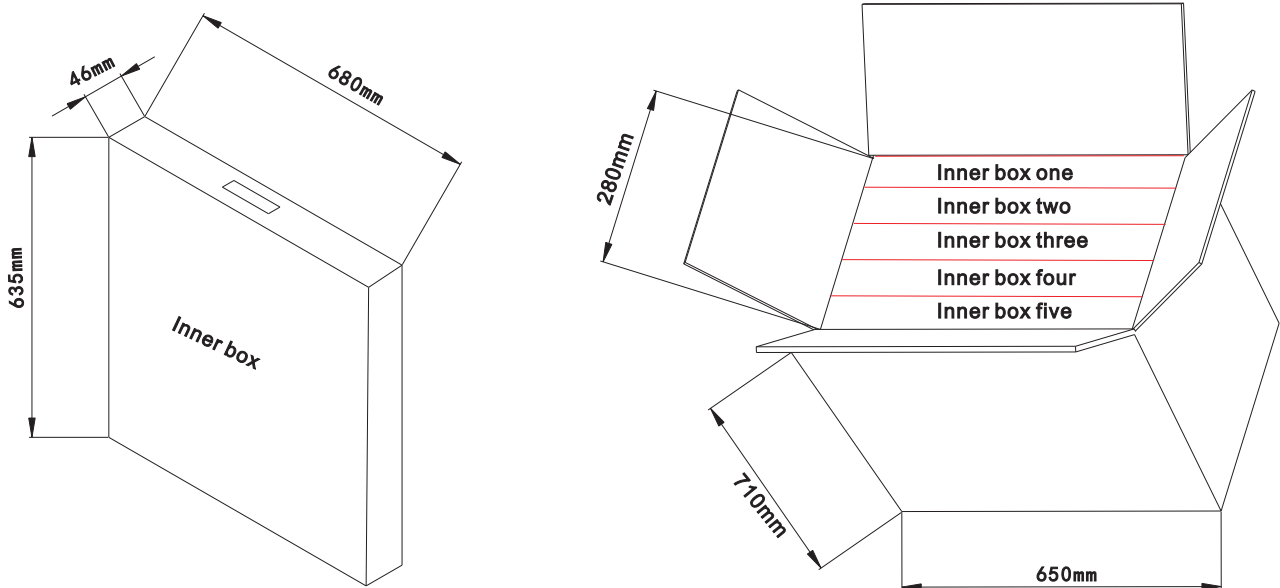
thread steel rope into the clamp.



Product packaging information:

1. Net weight: 3.93kg
2. Gross weight/Carton: 25 kg
3. Packing size: 650X280X710mm
4. 5pcs inner boxes in one carton.

All dimension units are millimeter.



! Notice

1. Please read the specification first, to make sure the service environment matches the condition in the specification before using.
2. Please confirm the applicable power supply before using.
3. Make sure the switch of product is off before connect to the power supply to prevent electric shock.
4. Operation against rules may damage your property even harm to your personal safety.
5. Preliminarily estimate required quantity of LED panel lights, then according to the power rating of single panel light to figure out the total power and design power supply plan.
6. Dangerous high voltage, Non-professionals are not allowed to maintain the products.
7. If the exterior flexible cable or wire is damaged, it must exchange by the supplier, its agent or other similar qualified personnels to avoid dangers.