



LED round panel light

-4" & 6" waterproof version



LM80
&
TM21

PF
>0.9

CRI
>80

CE

Warranty
3 years

Description

LED Round Panel Light can perfectly replace traditional downlight. Using Light Guide Plate, it has the feature of uniform and smooth light beam, low glare rating, low light pollution, and excellent protection from eyestrain. It can be widely used as interior lighting in shops, supermarkets, malls and hospitals, etc

Features

1. Super slim lamp body, only 10MM thickless.
2. IP64, suitable for damp location such as bathroom, kitchen.
3. Two sizes, 4inch and 6 inch for options.
4. The edge-lit emitting LEDs give even glare free illumination, and produce a comfortable lighting environment.



Specifications

Model	CCT	LED Type	Lumen(lm) (±10%)	Power(W) (±10%)	Length(mm)	Voltage (V)
DL-008-AW-01W-W	6000-6500K	2835	567lm	8W	145	AC 200-240V 50Hz
DL-008-AW-01NW-W	3800-4200K		564lm	8W	145	
DL-008-AW-01WW-W	2800-3200K		523lm	8W	145	
DL-011-AW-01W-W	6000-6500K	2835	808lm	11W	170	AC 200-240V 50Hz
DL-011-AW-01NW-W	3800-4200K		820lm	11W	170	
DL-011-AW-01WW-W	2800-3200K		735lm	11W	170	
Beam angle	PF	CRI	IP	Life span	Reflector	
110°	>0.95	≥80	IP64	36000hrs	Opal cover PMMA	

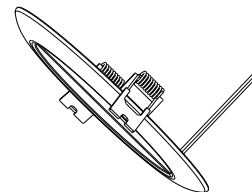
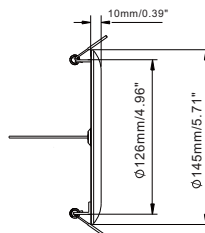
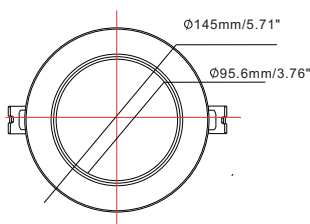
Applications

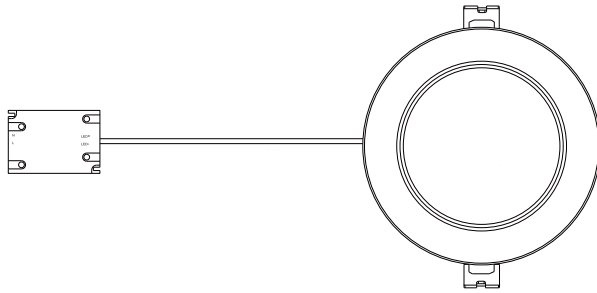
suitable for kitchen, restroom, balcony, indoor swimming pool, corridor, hallway and other damp environment.



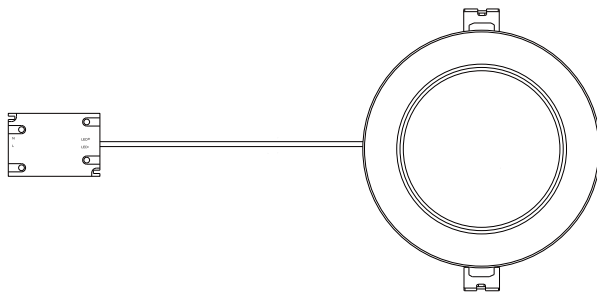
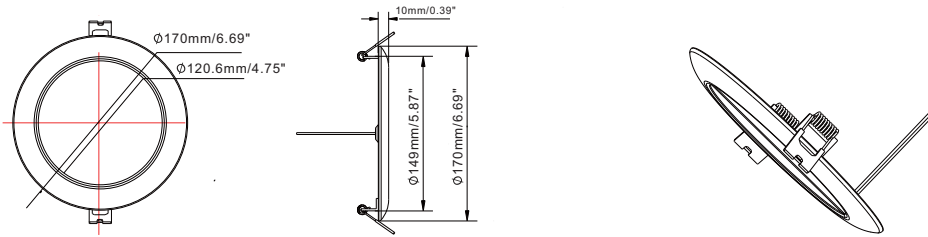
Dimensions (Unit: mm/inch)

4inch





6inch

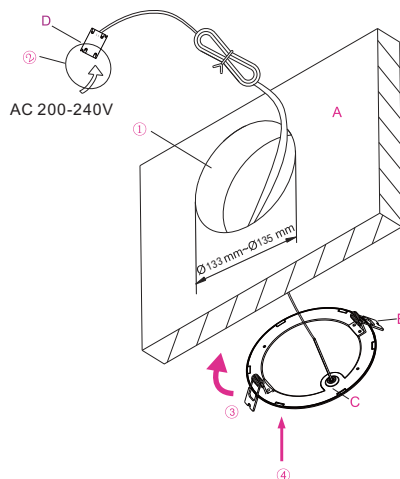


How to fix

4inch

- ① make a hole
- ② connect the power wire
- ③ push spring
- ④ put the lamp into the hole

A	Wall
B	Spring
C	LED lamp
D	Driver

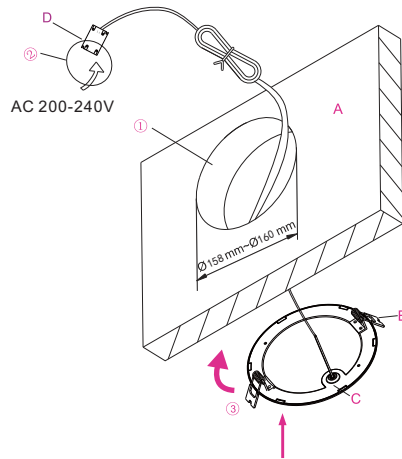




6inch

①	make a hole
②	connect the power wire
③	push spring
④	put the lamp into the hole

A	Wall
B	Spring
C	LED lamp
D	Driver



Product packaging information:

8W	11W
● Net weight/PC:0.28 kg	● Net weight/PC:0.38 kg
● gross weight/CTN: 9kg	● gross weight/CTN: 10.8kg
● Inner size: 185x155x40mm	● Inner size: 220X190X406mm
● Carton size: 420x330x205mm	● Carton size: 420X400X240mm
● 1pcs/inner box, 20 inner boxes/carton.	● 1pcs/inner box, 20 inner boxes/carton.

! Notice

- 1.Please read the specification first, to make sure the service environment matches the condition in the specification before using.
- 2.Please confirm the applicable power supply before using.
- 3.Make sure the switch of product is off before connect to the power supply to prevent electric shock.
- 4.Operation against rules may damage your property even harm to your personal safety.
- 5.Preliminarily estimate required quantity of LED Round panel lights, then according to the power rating of panel light to figure out the total power and design power supply plan.
- 6.Dangerous high voltage, Non-professionals are not allowed to maintain the products.
- 7.If the exterior flexible cable or wire is damaged, it must exchange by the supplier, its agent or other similar qualified personnels to avoid dangers.