

# Luna COB 8" Downlight 35W

## cutout 200mm

### Description

Luna COB 8" Downlight is designed to be rotatable 358° in horizontal and 60° in vertical direction, could meet various need on emitting directions. It is 35W including driver and delivers 4200lm of 80+ CRI warm white light while achieving up to 120lm/W. This outstanding performance is achieved by one 40W COB with Epistar chip. Its pending patent design especially the heat sink make sure perfect heat dissipation and low temperature on light body.



### Features

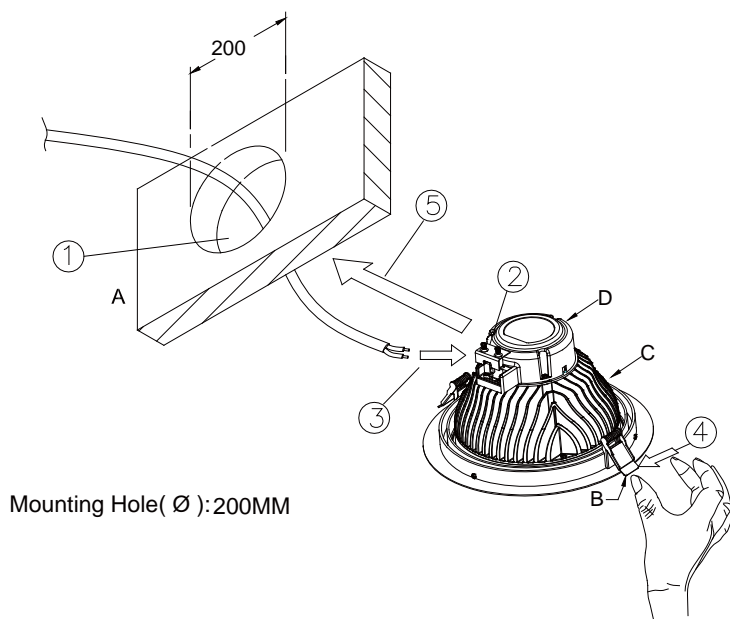
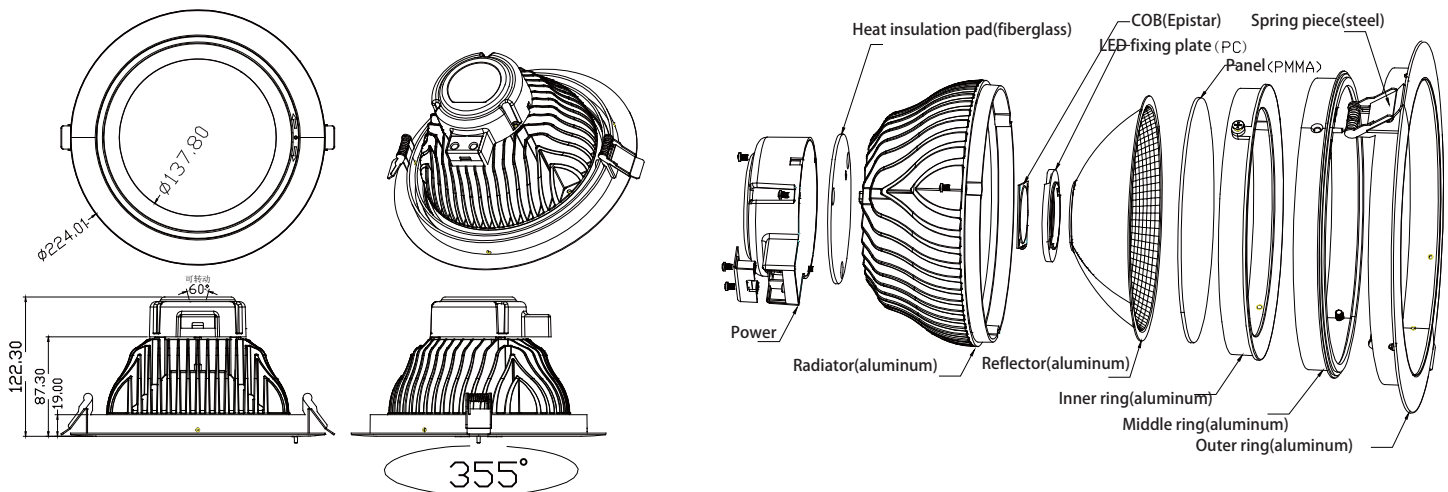
1. Use die-casting aluminum alloy as the material of main-body.
2. Use high transparent PMMA as lens.
3. Unique and beautiful looking design.
4. Excellent heat dissipation performance.
5. Isolated driver, ensure the long life span.
6. Energy-saving and high efficient LED driver.
7. Isolated driver design.
8. The lamp is 358° rotatable horizontally and 30° vertically



### Specifications

Model #	CCT	LED Type	Lumen(lm) (±10%)	CRI	Power(W) (±10%)	Beam angle	Current	Voltage (V)	PF
MDL8-035-AW-W-01	5000K	COB	4360	>80	35W	90°	<0.40A	100-240V AC	>0.92
MDL8-035-AW-NW-01	4000K	( Epistar	4300						
MDL8-035-AW-WW-01	3000K	chip )	4200						

## Dimensions (Unit: mm/inch)



①	make a hole
②	Open driver cover
③	connect the power wire
④	push spring
⑤	put the lamp into the hole

A	Wall
B	Spring
C	LED lamp
D	Driver

## Application

Commercial lighting where need high light output like hotel lobby, airport, shopping center, retail industry, museum, jewelry show room and so on



## Package information:

C O B 8 "

Product Net weight: 1.47kg

Product Gross weight: 1.63kg

Dimension of inner box: 260X260X145MM

Carton box dimension (12PCS inside) : 715\*480\*320MM

Carton box gross weight: 21Kg

### Notice

1. Please read the specification first, to make sure the service environment matches the conditions in the specification before using.
2. Please confirm the applicable power supply before using.
3. Make sure the switch of product is off before connect to the power supply to prevent electric shock.
4. Operation against rules may damage your property even harm to your personal safety.
5. Preliminarily estimate required quantity of LED lights, then according to the power rating of single LED light to figure out the total power and design power supply plan.
6. Dangerous high voltage, Non-professionals are not allowed to maintain the products.
7. If the exterior flexible cable or wire is damaged, it must exchange by the supplier, its agent or other similar qualified personnels to avoid dangers.