




# COB LED Downlight

**RDL8-035-AW**   
**RDL-035-AH**   
**RDL-035-AL** 

## Features:

1. Use die-casting aluminum alloy as main-body material.
2. Use high light transmittance toughened glass as cover material.
3. Unique and beautiful looking design.
4. Good heat dissipation performance guarantee the long life span.
5. Unibody design with main-body and adapter.
6. Use LED driver, high effective and energy-saving.
7. Can replace traditional downlight.
8. Dimming range :10%~100%.

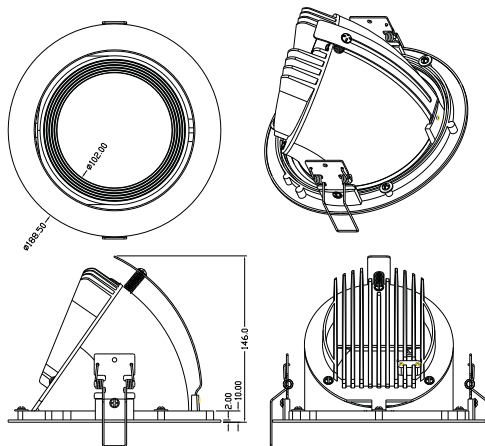


## Application:

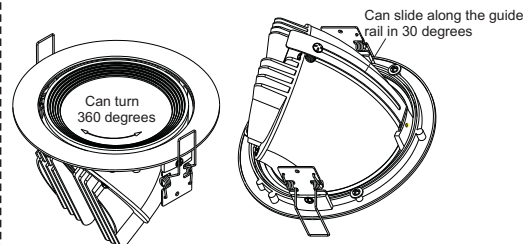
Hotel room, passage, home decoration, office...



## Dimensions(unit:mm):



## Special function:



## Specification:

Model Number	Color	CCT	LED Type	Light Output (lm)	Beam angle	CRI	Power	Voltage	Dimmable	Max. Current	PF	Net Weight	Gross Weight
RDL8-035-AW-W	White	5500-7000K	COB	2000	45°	>80	35W	100-240V AC 50/60Hz	Non-dimmable	0.42A	≥0.9	1.3Kg	1.42Kg
RDL8-035-AW-WW	Warm white	2700-3200K	COB	1980	45°	>80	35W	100-240V AC 50/60Hz					
RDL-035-AH-W	White	5500-7000K	COB	2000	45°	>80	35W	200-240V AC 50Hz	Dimmable				
RDL-035-AH-WW	Warm white	2700-3200K	COB	1980	45°	>80	35W	200-240V AC 50Hz					
RDL-035-AL-W	White	5500-7000K	COB	2000	45°	>80	35W	100-120V AC 60Hz					
RDL-035-AL-WW	Warm white	2700-3200K	COB	1980	45°	>80	35W	100-120V AC 60Hz					

## Packing information:

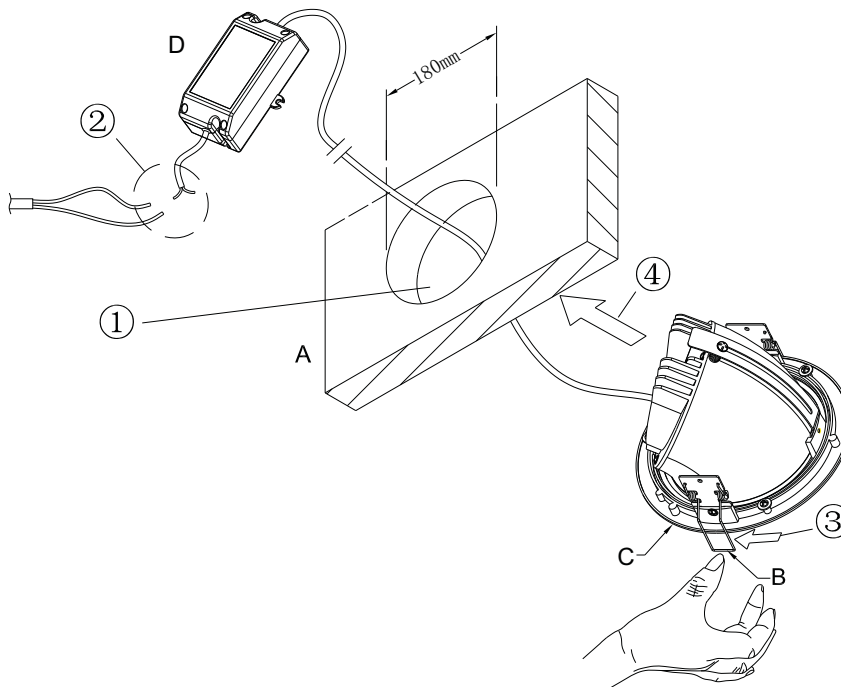
Inner box dimension: 195\*195\*195 mm

Outer carton dimension: 600\*600\*410 mm (18 boxes per carton)

Carton gross weight:26.5Kg

Note:These are the external dimensions. Use no-logo package.

## Installation drawing



①	make a hole
②	connect the power wire
③	push spring
④	put the lamp into the hole

A	Wall
B	Spring
C	LED lamp
D	Driver

### Installation information:

Power must be cut off before installation, fix it on the position of installation holes, connection of the power supply must be sealed.

### ! Notice

1. Please read the specification first, to make sure the service environment matches the condition in the specification before using.
2. Please confirm the applicable power supply before using.
3. Make sure the switch of product is off before connect to the power supply to prevent electric shock.
4. Operation against rules may damage your property even harm to your personal safety.
5. Preliminarily estimate required quantity of LED lights, then according to the power rating of single LED light to figure out the total power and design power supply plan.
6. Using environment: -20°C to 45°C.
7. Dangerous high voltage, Non-professionals are not allowed to maintain the products.
8. If the exterior flexible cable or wire is damaged, it must exchange by the supplier, its agent or other similar qualified personnels to avoid dangers.

