



COB LED Downlight



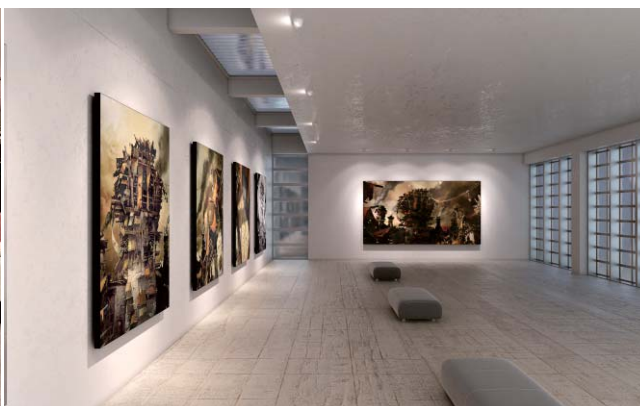
Features:



1. Use die-casting aluminum alloy as main-body material.
2. Use high light transmittance toughened glass as cover material.
3. Unique and beautiful looking design.
4. Good heat dissipation performance guarantee the long life span.
5. Use external LED driver to make sure low heat dissipation and longer lifetime of LED source,
driver brand : Signcomplex, Philips, Osram, Tridonic and so on..
6. Can replace traditional downlight.

Application:

Shop lighting, hotel, museum, show room, public lighting....

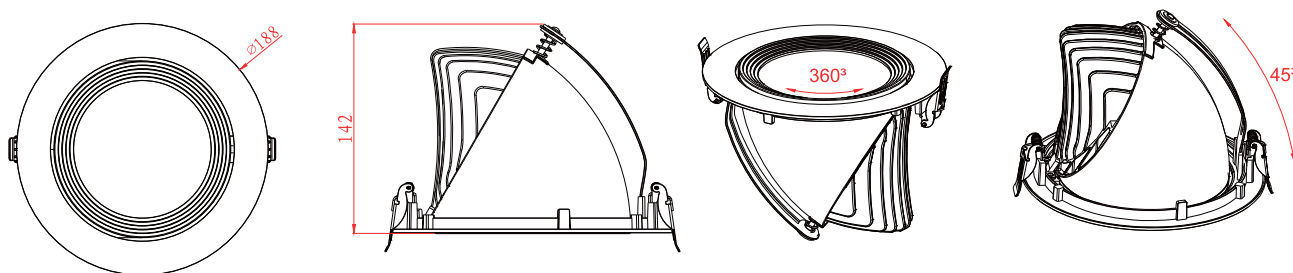




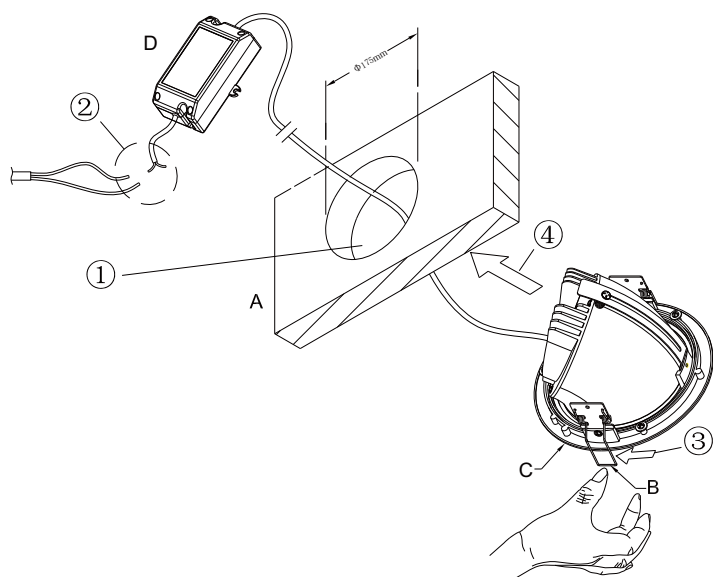
Specification:

Model	CCT	Color	Lumen(lm) (±10%)	LED Type	LED Qty.	Power(w) (±10%)	Voltage, Frequency	Beam (angle°)	CRI	PF
RDL6-040-AW-W-01	5000K	White	3797	COB	1pcs	40	AC100-240V 50/60Hz	15°	> 80	≥0.9
RDL6-040-AW-NW-01	4000K	Neutral White	3748							
RDL6-040-AW-WW-01	3000K	Warm White	3591							
RDL6-040-AW-W-02	5000K	White	3651	COB	1pcs	40	AC100-240V 50/60Hz	24°	> 80	≥0.9
RDL6-040-AW-NW-02	4000K	Neutral White	3713							
RDL6-040-AW-WW-02	3000K	Warm White	3479							

Dimenions(unit:mm):



Installation drawing



①	make a hole
②	connect the power wire
③	push spring
④	put the lamp into the hole

A	Wall
B	Spring
C	LED lamp
D	Driver

Installation information:

Power must be cut off before installation, fix it on the position of installation holes, connection of the power supply must be sealed.



Packing information:

Size	Packing qty	Inner box dimension	Outer carton dimension	Net weight	Gross weight
6"	12PCS	197*197*170mm	610*410*375mm	15.5kg	18.0kg

Note: These are the external dimensions. Use no-logo package.

Notice :

1. Please read the specification first, to make sure the service environment matches the condition in the specification before using.
2. Please confirm the applicable power supply before using.
3. Make sure the switch of product is off before connect to the power supply to prevent electric shock.
4. Operation against rules may damage your property even harm to your personal safety.
5. Preliminarily estimate required quantity of LED lights, then according to the power rating of single LED light to figure out the total power and design power supply plan.
6. Using environment: -20°C to 45°C.
7. Dangerous high voltage, Non-professionals are not allowed to maintain the products.
8. If the exterior flexible cable or wire is damaged, it must exchange by the supplier, its agent or other similar qualified personnels to avoid dangers.