



COB LED Downlight

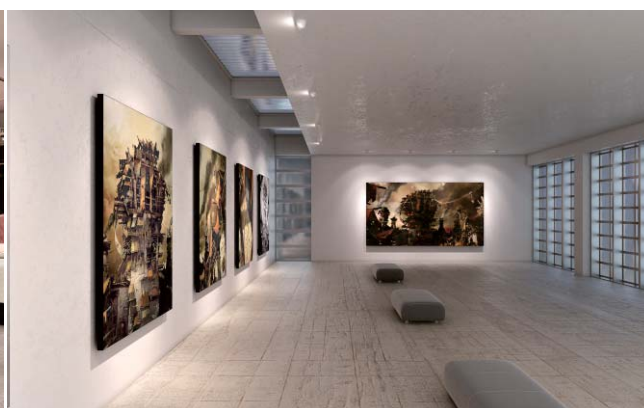


Features:

1. Use die-casting aluminum alloy as main-body material.
2. Use high light transmittance toughened glass as cover material.
3. Unique and beautiful looking design.
4. Good heat dissipation performance guarantee the long life span.
5. Use external LED driver to make sure low heat dissipation and longer lifetime of LED source,
driver brand : Signcomplex, Philips, Osram, Tridonic and so on..
6. Can replace traditional downlight.

Application:

Shop lighting, hotel, museum, show room, public lighting....

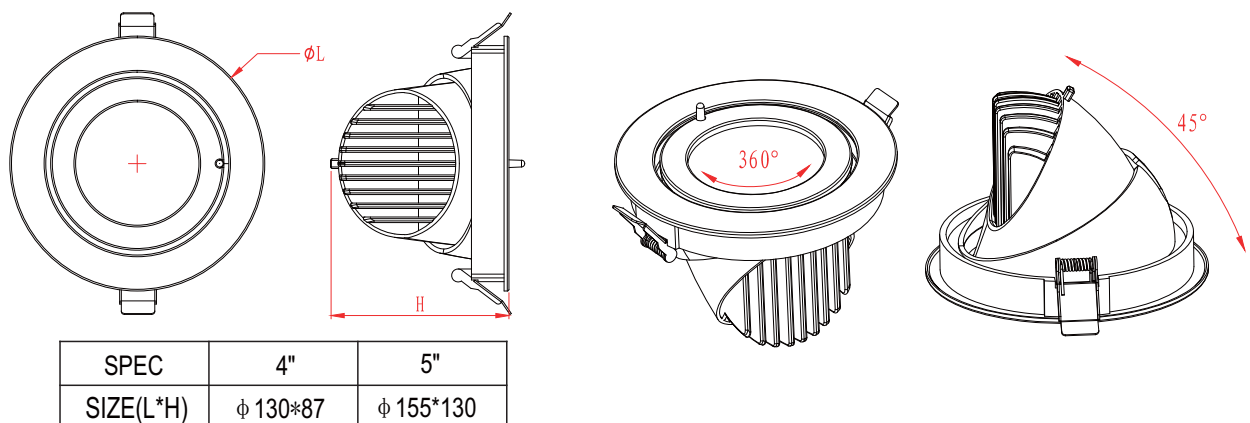




Specification:

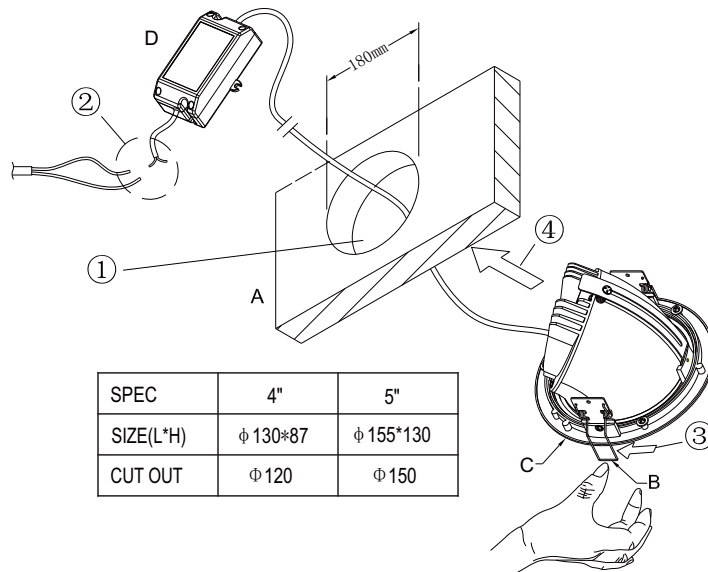
Model	CCT	Color	Lumen(lm) (±10%)	LED Type	LED Qty.	Power(w) (±10%)	Voltage, Frequency	Beam (angle°)	CRI	PF
RDL4-020-AW-W-01	5000K	White	1920	COB	1pcs	20	AC100-240V 50/60Hz	15°	> 80	≥0.9
RDL4-020-AW-NW-01	4000K	Neutral White	1935							
RDL4-020-AW-WW-01	3000K	Warm White	1887							
RDL5-030-AW-W-01	5000K	White	2718	COB	1pcs	30	AC100-240V 50/60Hz	15°	> 80	≥0.9
RDL5-030-AW-NW-01	4000K	Neutral White	2746							
RDL5-030-AW-WW-01	3000K	Warm White	2688							
RDL4-020-AW-W-02	5000K	White	2126	COB	1pcs	20	AC100-240V 50/60Hz	24°	> 80	≥0.9
RDL4-020-AW-NW-02	4000K	Neutral White	2075							
RDL4-020-AW-WW-02	3000K	Warm White	1890							
RDL5-030-AW-W-02	5000K	White	3068	COB	1pcs	30	AC100-240V 50/60Hz	24°	> 80	≥0.9
RDL5-030-AW-NW-02	4000K	Neutral White	2890							
RDL5-030-AW-WW-02	3000K	Warm White	3038							

Dimenions(unit:mm):





Installation drawing



SPEC	4"	5"
SIZE(L*H)	φ 130*87	φ 155*130
CUT OUT	φ 120	φ 150

①	make a hole
②	connect the power wire
③	push spring
④	put the lamp into the hole

A	Wall
B	Spring
C	LED lamp
D	Driver

Installation information:

Power must be cut off before installation, fix it on the position of installation holes, connection of the power supply must be sealed.

Packing information:

Size	Packing qty	Inner box dimension	Outer carton dimension	Net weight	Gross weight
4"	24PCS	133*133*115mm	565*420*260mm	15.2kg	18kg
5"	18PCS	161*161*145mm	510*510*320mm	18.0kg	20kg

Note: These are the external dimensions. Use no-logo package.

! Notice :

1. Please read the specification first, to make sure the service environment matches the condition in the specification before using.
2. Please confirm the applicable power supply before using.
3. Make sure the switch of product is off before connect to the power supply to prevent electric shock.
4. Operation against rules may damage your property even harm to your personal safety.
5. Preliminarily estimate required quantity of LED lights, then according to the power rating of single LED light to figure out the total power and design power supply plan.
6. Using environment: -20°C to 45°C.
7. Dangerous high voltage, Non-professionals are not allowed to maintain the products.
8. If the exterior flexible cable or wire is damaged, it must exchange by the supplier, its agent or other similar qualified personnels to avoid dangers.