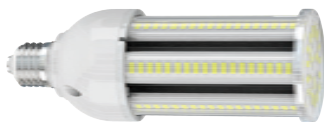


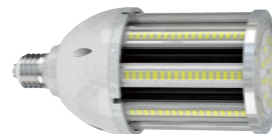
iLight LED Corn Lamp IP64



12W



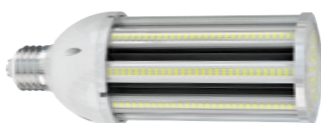
20W



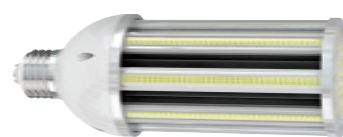
27W



36W



45W



54W

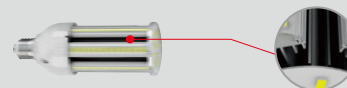


Features

1. 150lm/W. Use Brand LED SEOUL 5630.



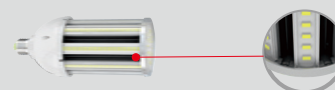
2. Pure Aluminum 1070, better heat dissipation .



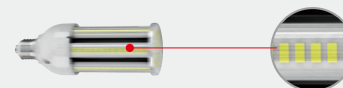
3. Driver sealed with thermal paste, lower working temperature and waterproof.



4. Cove and holes surrounded for water flowing away



5. Transparent PC cover to protect LED.



6. IP64



7. Flame retardant material.



8. Replace HPS, MHL, HQL, HID, CFL Lamps, applicable in enclosed illuminaires

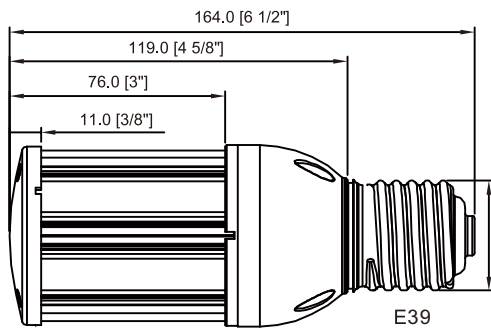


Specifications

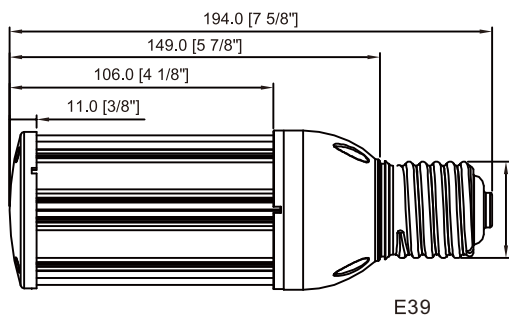
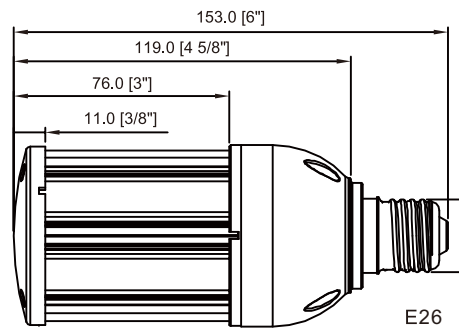
Model	Color	CCT	Lumen (lm) (±10%)	Power(w) (±10%)	Base	Voltage
FR26-012-AW-W-01H	White	5000K	1850	12	E26	100-277V AC
FR26-012-AW-NW-01H	Neutral white	4000K	1800	12	E26	100-277V AC
FR26-012-AW-WW-01H	Warm white	3000K	1650	12	E26	100-277V AC
FR39-012-AW-W-02H	White	5000K	1850	12	E39	100-277V AC
FR39-012-AW-NW-02H	Neutral white	4000K	1800	12	E39	100-277V AC
FR39-012-AW-WW-02H	Warm white	3000K	1750	12	E39	100-277V AC
FR26-020-AW-W-01H	White	5000K	3050	20	E26	100-277V AC
FR26-020-AW-NW-01H	Neutral white	4000K	3000	20	E26	100-277V AC
FR26-020-AW-WW-01H	Warm white	3000K	2920	20	E26	100-277V AC
FR39-020-AW-W-02H	White	5000K	3050	20	E39	100-277V AC
FR39-020-AW-NW-02H	Neutral white	4000K	3000	20	E39	100-277V AC
FR39-020-AW-WW-02H	Warm white	3000K	2920	20	E39	100-277V AC
FR26-027-AW-W-01H	White	5000K	4100	27	E26	100-277V AC
FR26-027-AW-NW-01H	Neutral white	4000K	4050	27	E26	100-277V AC
FR26-027-AW-WW-01H	Warm white	3000K	3900	27	E26	100-277V AC
FR39-027-AW-W-02H	White	5000K	4100	27	E39	100-277V AC
FR39-027-AW-NW-02H	Neutral white	4000K	4050	27	E39	100-277V AC
FR39-027-AW-WW-02H	Warm white	3000K	3900	27	E39	100-277V AC
FR26-036-AW-W-01H	White	5000K	5470	36	E26	100-277V AC
FR26-036-AW-NW-01H	Neutral white	4000K	5400	36	E26	100-277V AC
FR26-036-AW-WW-01H	Warm white	3000K	5250	36	E26	100-277V AC
FR39-036-AW-W-02H	White	5000K	5470	36	E39	100-277V AC
FR39-036-AW-NW-02H	Neutral white	4000K	5400	36	E39	100-277V AC
FR39-036-AW-WW-02H	Warm white	3000K	5250	36	E39	100-277V AC
FR26-045-AW-W-01H	White	5000K	6960	45	E26	100-277V AC
FR26-045-AW-NW-01H	Neutral white	4000K	6750	45	E26	100-277V AC
FR26-045-AW-WW-01H	Warm white	3000K	6570	45	E26	100-277V AC
FR39-045-AW-W-02H	White	5000K	6960	45	E39	100-277V AC
FR39-045-AW-NW-02H	Neutral white	4000K	6750	45	E39	100-277V AC
FR39-045-AW-WW-02H	Warm white	3000K	6570	45	E39	100-277V AC
FR26-054-AW-W-01H	White	5000K	8375	54	E26	100-277V AC
FR26-054-AW-NW-01H	Neutral white	4000K	8230	54	E26	100-277V AC
FR26-054-AW-WW-01H	Warm white	3000K	7730	54	E26	100-277V AC
FR39-054-AW-W-02H	White	5000K	8375	54	E39	100-277V AC
FR39-054-AW-NW-02H	Neutral white	4000K	8230	54	E39	100-277V AC
FR39-054-AW-WW-02H	Warm white	3000K	7730	54	E39	100-277V AC



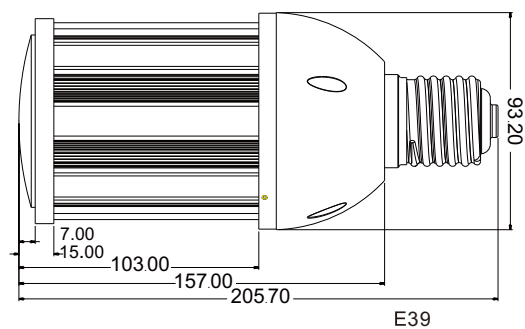
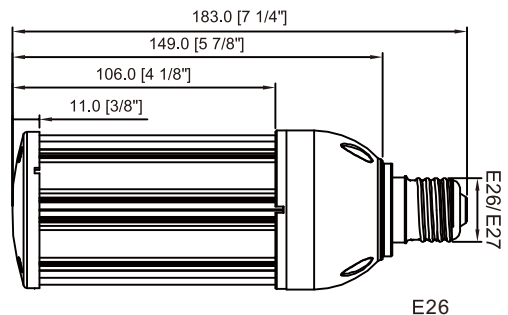
Dimensions (Unit: mm)



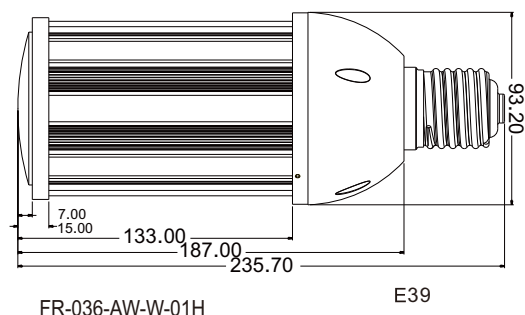
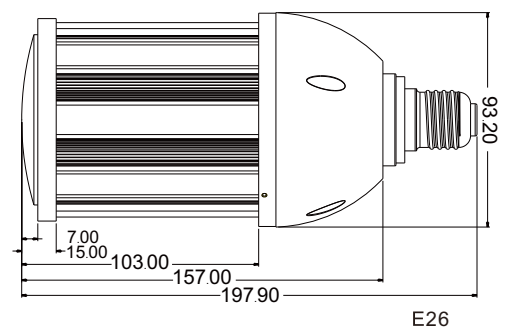
FR-012-AW-W-01H



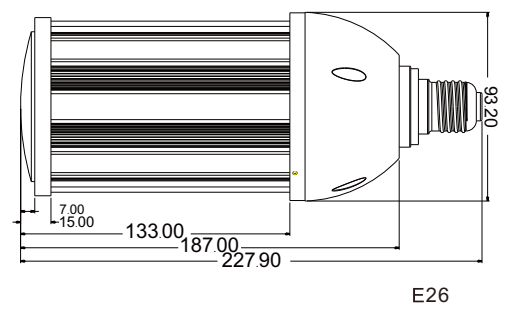
FR-020-AW-W-01H

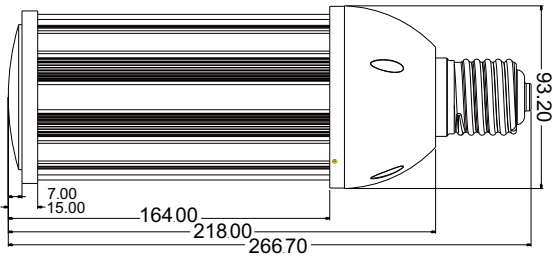


FR-027-AW-W-01H



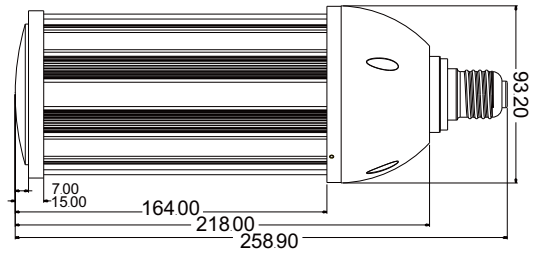
FR-036-AW-W-01H



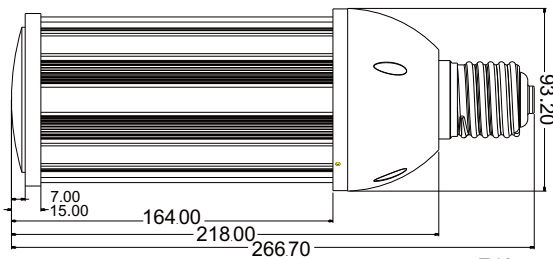


FR-045-AW-W-01H

E40

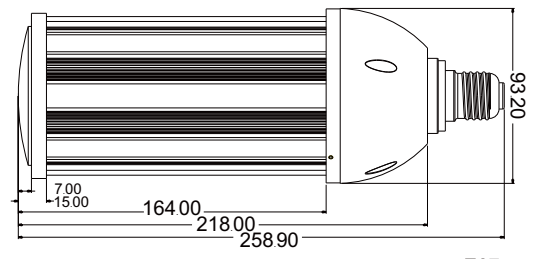


E27



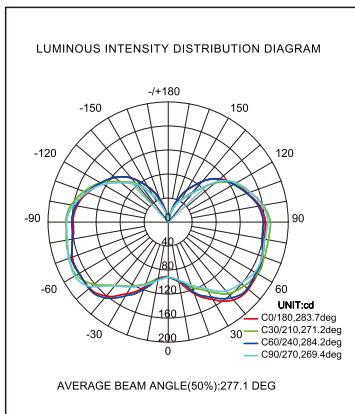
FR-054-AW-W-01H

E40

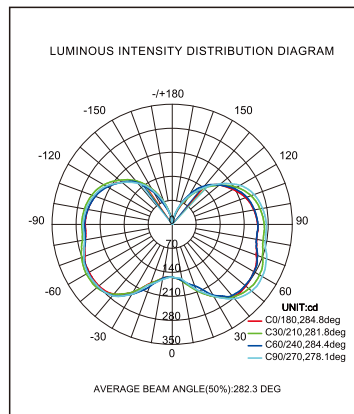


E27

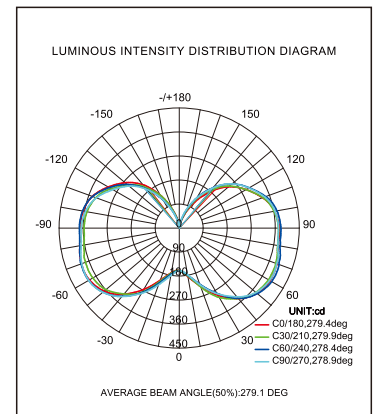
Luminous Intensity Distribution Diagram



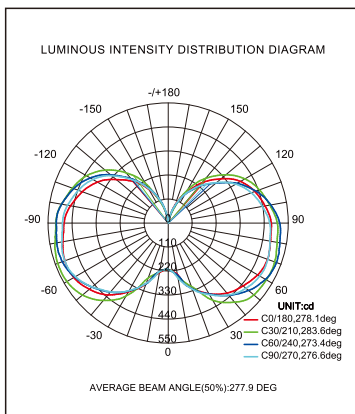
FR-012-AW-W-01H



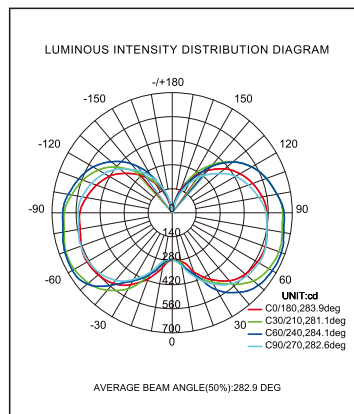
FR-020-AW-W-01H



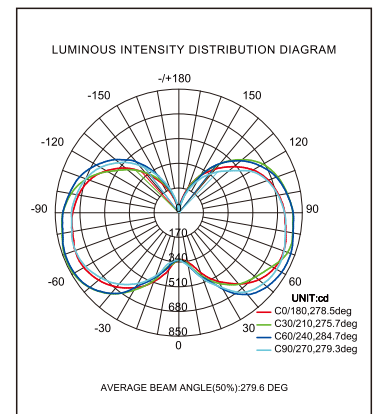
FR-027-AW-W-01H



FR-036-AW-W-01H



FR-045-AW-W-01H



FR-054-AW-W-01H



Main Applications

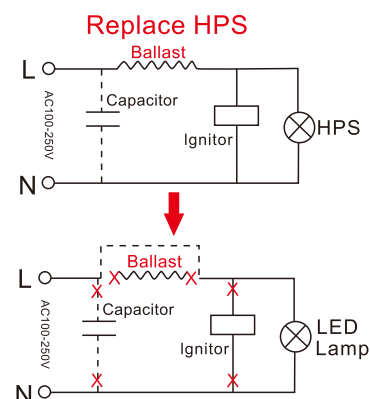
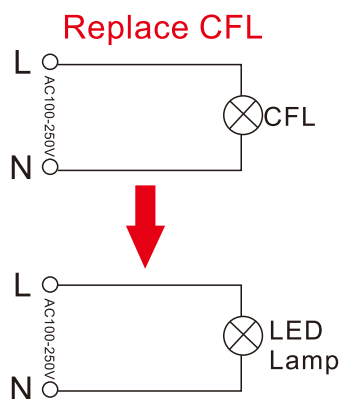
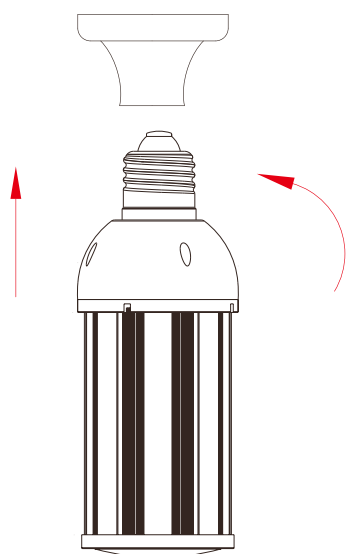


Widely use in slow lane, narrow lane, residential area, scenic spot, park, square and other public places for indoor or outdoor lighting and replace traditional sodium lamp and energy-saving lamp.





Installation



Packing information

12W Inner box dimension(K3A paper):75*75*185MM
 Product gross weight:0.28KG
 Product net weight:0.32KG
 Carton box dimension(A=K paper, 16 PCS inside):315*315*220MM
 Carton box gross weight5.12KG

20W Inner box dimension(K3A paper):75*75*215MM
 Product gross weight:0.34KG
 Product net weight:0.39KG
 Carton box dimension(A=K paper, 16 PCS inside):315*315*250MM
 Carton box gross weight:6.24KG

27W Inner box dimension(K3A paper):120*120*240MM
 Product gross weight:0.75KG
 Product net weight:0.64KG
 Carton box dimension(A=K paper, 24 PCS inside):510*380*500MM
 Carton box gross weight:18.9KG

36W Inner box dimension(K3A paper):120*120*260mm
 Product gross weight:0.83KG
 Product net weight:0.72KG
 Carton box dimension(A=K paper, 24 PCS inside):510*380*560mm
 Carton box gross weight:20.8KG



45W Inner box dimension(K3A paper):120*120*290mm
Product gross weight:0.92KG
Product net weight:0.8KG
Carton box dimension(A=K paper, 24 PCS inside):510*380*620mm
Carton box gross weight:23KG

54W Inner box dimension(K3A paper):120*120*290mm
Product gross weight:0.97KG
Product net weight:0.85KG
Carton box dimension(A=K paper, 24 PCS inside):510*380*620mm
Carton box gross weight:24.3KG

Notice

- 1.Please read the specification first, to make sure the service environment matches the condition in the specification before using.
- 2.Please confirm the applicable power supply before using.
- 3.Use environment: -20°C to 45°C.
- 4.Make sure the switch of product is off before connect to the power supply to prevent electric shock.
- 5.Operation against rules may damage your property even harm to your personal safety.
- 6.This product is not waterproof luminaire, must be used indoors.
- 7.Dangerous high voltage, Non-professionals are not allowed to maintain the products.