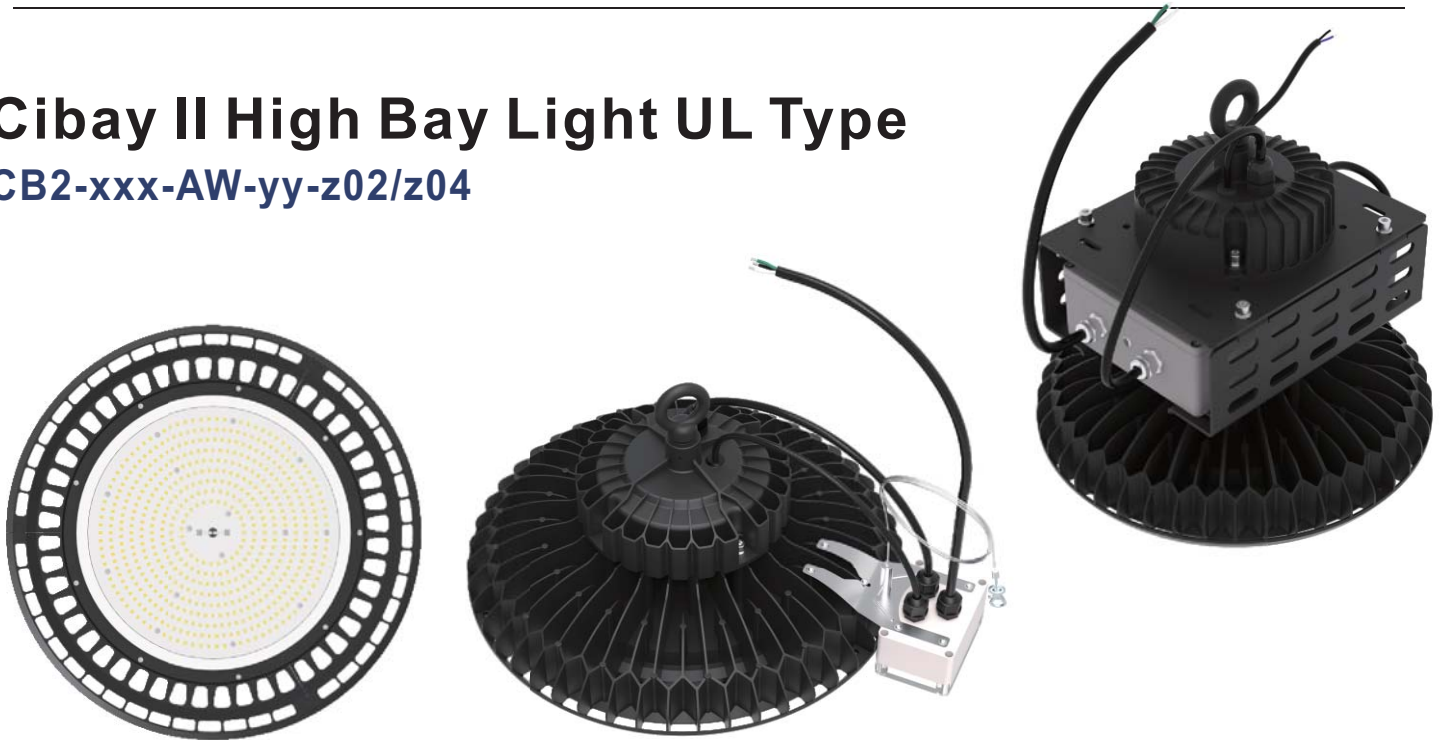




Cibay II High Bay Light UL Type

CB2-xxx-AW-yy-z02/z04



Description:

The light is designed without lampshade, small and thin lampbody, smooth lines, attractive appearance. The lampbody adopt die-casting aluminum, professional cooling channel with excellent cooling performance. The light adopt toughened glass to improve impact-resistance capacity. Adopt INVENTRONICS round power supply, beautiful and simple, the LEDs have high lighting effect up to 130 lm/W. IP65 waterproof level, suitable for both indoor and outdoor use.

Feature:

1. The light is designed without lampshade, simple lampbody and it is suitable for commercial and industrial lighting for its simple shape;
2. Adopt waterproof structure design, waterproof level up to IP65;
3. Aluminum profile+toughened glass, high impact-resistance;
4. LEDs are circularly arranged in symmetric, heat source are efficiently distributed in balance;
5. High lighting effect of LEDs up to 130LM/W;
6. CRI ≥80, good color rendering performance;
7. Compact appearance, easy to install and transport;
8. Multiple installation methods for option: susedent installation, suspended hook installation ; wall installation or ceiling installation ;with U-shape rotating bracket; Half inch pipe installation ;
9. indoor slight corrosion-proof grade; Application environment -20~40℃
10. 5 years warranty.



Technical parameters:

Model	CCT	Lumen(lm) (±10%)	Beam (angle°)	LED Qty.	Power (±10%)	Voltage, Frequency	CRI	PF
CB2-100-AW-W-02/D02/S02/E02/F02/G02	5000K	12950	120°	210pcs	100 Emergency Power 25W 1.5H	AC100-277V 50/60Hz	> 80	≥0.9
CB2-100-AW-NW-02/D02/S02/E02/F02/G02	4000K	12580						
CB2-100-AW-WW-02/D02/S02/E02/F02/G02	3000K	11370						
CB2-150-AW-W-02/D02/S02/E02/F02/G02	5000K	19370	120°	336pcs	150 Emergency Power 25W 1.5H	AC100-277V 50/60Hz	> 80	≥0.9
CB2-150-AW-NW-02/D02/S02/E02/F02/G02	4000K	18820						
CB2-150-AW-WW-02/D02/S02/E02/F02/G02	3000K	17030						
CB2-200-AW-W-02/D02/S02/E02/F02/G02	5000K	26060	120°	420pcs	200 Emergency Power 25W 1.5H	AC100-277V 50/60Hz	> 80	≥0.9
CB2-200-AW-NW-02/D02/S02/E02/F02/G02	4000K	25320						
CB2-200-AW-WW-02/D02/S02/E02/F02/G02	3000K	22800						
CB2-240-AW-W-02/D02/S02/E02/F02/G02	5000K	31200	120°	546pcs	240 Emergency Power 25W 1.5H	AC100-277V 50/60Hz	> 80	≥0.9
CB2-240-AW-NW-02/D02/S02/E02/F02/G02	4000K	30320						
CB2-240-AW-WW-02/D02/S02/E02/F02/G02	3000K	28070						
CB2-100-AW-W-04/D04/S04/E04/F04/G04	5000K	12950	120°	224pcs	100 Emergency Power 25W 1.5H	AC100-277V 50/60Hz	> 80	≥0.9
CB2-100-AW-NW-04/D04/S04/E04/F04/G04	4000K	12580	90°					
CB2-100-AW-WW-04/D04/S04/E04/F04/G04	3000K	11370	45°					
CB2-150-AW-W-04/D04/S04/E04/F04/G04	5000K	19370	120°	350pcs	150 Emergency Power 25W 1.5H	AC100-277V 50/60Hz	> 80	≥0.9
CB2-150-AW-NW-04/D04/S04/E04/F04/G04	4000K	18820	90°					
CB2-150-AW-WW-04/D04/S04/E04/F04/G04	3000K	17030	45°					
CB2-200-AW-W-04/D04/S04/E04/F04/G04	5000K	26060	120°	392pcs	200 Emergency Power 25W 1.5H	AC100-277V 50/60Hz	> 80	≥0.9
CB2-200-AW-NW-04/D04/S04/E04/F04/G04	4000K	25320	90°					
CB2-200-AW-WW-04/D04/S04/E04/F04/G04	3000K	22800	45°					
CB2-240-AW-W-04/D04/S04/E04/F04/G04	5000K	31200	120°	476pcs	240 Emergency Power 25W 1.5H	AC100-277V 50/60Hz	> 80	≥0.9
CB2-240-AW-NW-04/D04/S04/E04/F04/G04	4000K	30320	90°					
CB2-240-AW-WW-04/D04/S04/E04/F04/G04	3000K	28070	45°					

- * 02: Normal series
- * D02: 0-10V dimming series
- * S02: Microwave sensing series
- * E02: Normal series+Emergency
- * F02: 0-10V dimming series+Emergency
- * G02: Microwave sensing series+Emergency

- * 04: Normal series(Matching lens)
- * D04: 0-10V dimming series(Matching lens)
- * S04: Microwave sensing series(Matching lens)
- * E04: Normal series+Emergency(Matching lens)
- * F04: 0-10V dimming series+Emergency(Matching lens)
- * G04: Microwave sensing series+Emergency(Matching lens)

**If you won't plan to purchase lens separately to replace toughened glass,
1 2 0° of z04 series is not recommended**

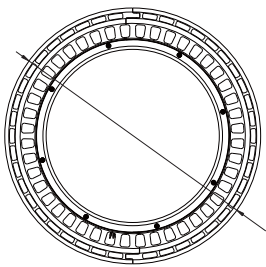


Application:

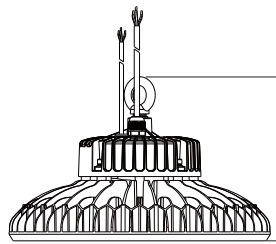
Suitable for large workshop, basement, warehouse, parking lot, etc.



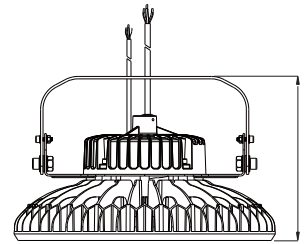
Dimension(Unit:mm/inch):



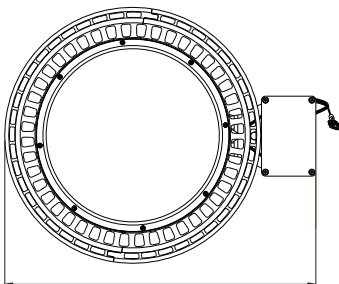
100 / 150w : ϕ 320mm/12.59"
200 / 240w : ϕ 400mm/15.74"



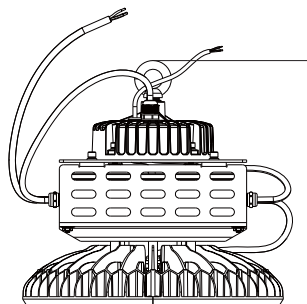
100 / 150w : 201mm/7.91"
200 / 240w : 224mm/8.82"



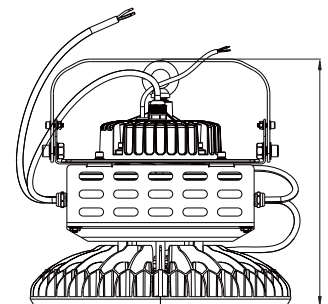
100 / 150w : 207mm/8.15"
200 / 240w : 214mm/8.43"



100 / 150w : 388mm/15.28"
200 / 240w : ϕ 468mm/18.43"



100 / 150w : 301mm/11.85"
200 / 240w : 324mm/12.76"



100 / 150w : 304mm/11.97"
200 / 240w : 311mm/12.24"



Accessories series



suspended ring



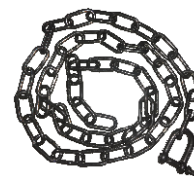
suspended hook



U bracket



Safety rope



Iron chain



Lampshade



PC lens



Frosted glass(fabric cloth)



Microwave sensor



T9 tool

Parts specification

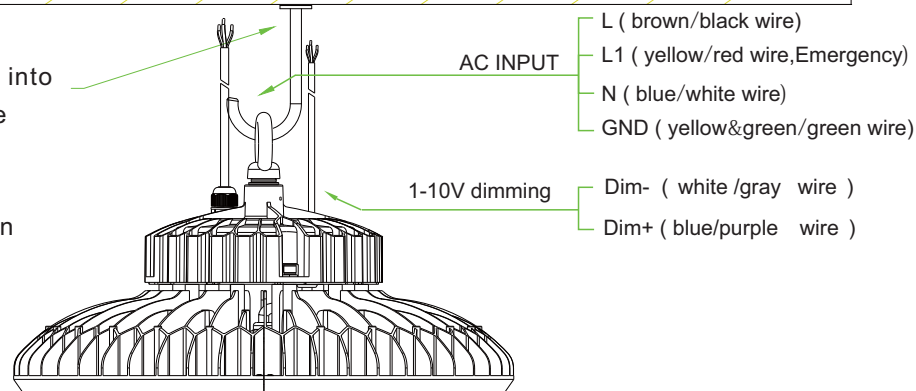
Name	Part coding	Outer carton dimension	Main material	Application scope
suspended ring (100-150W)	695-01-0502-347	340*340*230mm/50pcs	cast iron	CB2-100~150-AW-W/NW/WW-zyy
suspended ring (200-240W)	695-01-0502-348	340*340*230mm/50pcs	cast iron	CB2-200~240-AW-W/NW/WW-zyy
T9 tool	695-01-0502-409	As the case may be	high speed steel	CB2-100~240-AW-W/NW/WW-zyy
U-shape bracket (100-240W)	695-01-0502-352	620*310*200mm/10pcs	Cold rolled steel	CB2-100~240-AW-W/NW/WW-zyy
suspended hook(100-150w)	695-01-0502-349	340*340*230mm/50pcs	cast iron+ adc12	CB2-100~150-AW-W/NW/WW-zyy
suspended hook(200-240w)	695-01-0502-350	340*340*230mm/50pcs	cast iron+ adc12	CB2-200~240-AW-W/NW/WW-zyy
Microwave sensor (100-240W)	695-01-0502-357	340*340*230mm/12pcs	SUS304+Plastic	CB2-100~150-AW-W/NW/WW-Dyy
Microwave sensor (100-240W)	695-01-0502-358	340*340*230mm/12pcs	SUS304+Plastic	CB2-200~240-AW-W/NW/WW-Dyy
Lampshade (80deg/100-150W)	695-01-0502-387	As the case may be	1070 aluminum	CB2-100~150-AW-W/NW/WW-zyy
Lampshade (80deg/200-240W)	695-01-0502-388	As the case may be	1070 aluminum	CB2-200~240-AW-W/NW/WW-zyy
Lens (45/90deg/100-150W)	695-11-0914-005	265*265*230mm/12pcs	PC	CB2-100~150-AW-W/NW/WW-zyy
Lens (45/90deg/200-240W)	695-11-0914-006	315*315*230mm/12pcs	PC	CB2-200~240-AW-W/NW/WW-zyy
Frosted glass(100-150W)	695-02-0014-002	265*265*230mm/40pcs	Toughened glass	CB2-100~150-AW-W/NW/WW-zyy
Frosted glass(200-240W)	695-02-0014-004	315*315*230mm/40pcs	Toughened glass	CB2-200~240-AW-W/NW/WW-zyy
Safety rope(1.5m)	695-06-0028-002	As the case may be	SUS304	CB2-100~240-AW-W/NW/WW-zyy
Iron chain (1.5m)	695-06-0028-003	340*340*230mm/40pcs	SUS304	CB2-100~240-AW-W/NW/WW-zyy
Iron chain (1.0m)	695-06-0028-007	340*340*230mm/40pcs	SUS304	CB2-100~240-AW-W/NW/WW-zyy



Installation :

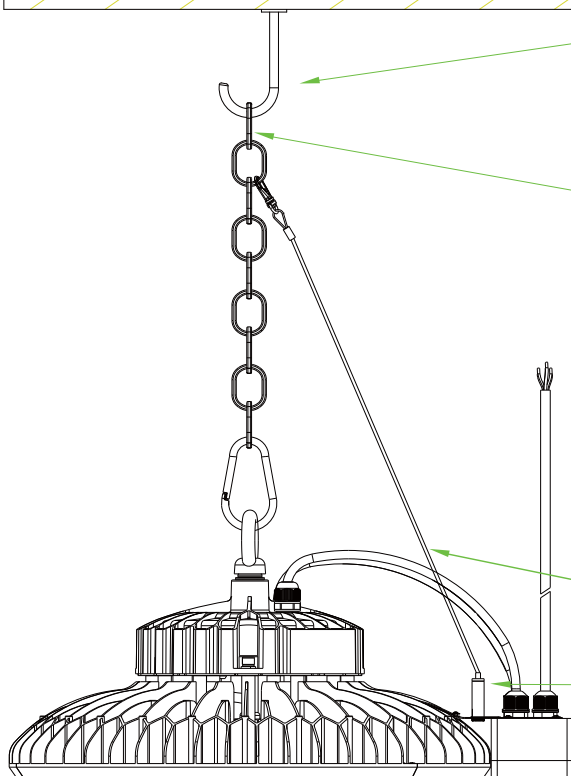
Suspendent ring ,suspendent installation

1. Please prepare one set of hangers, insert them into installation carrier in advance, and make sure the hangers and installation carrier meet bearing requirement;
2. Screw suspendent ring into installation position of lamp body, and tighten it;
3. Hook the lamp body on reserved hanger via suspendent rings;



Installation with suspendent chain

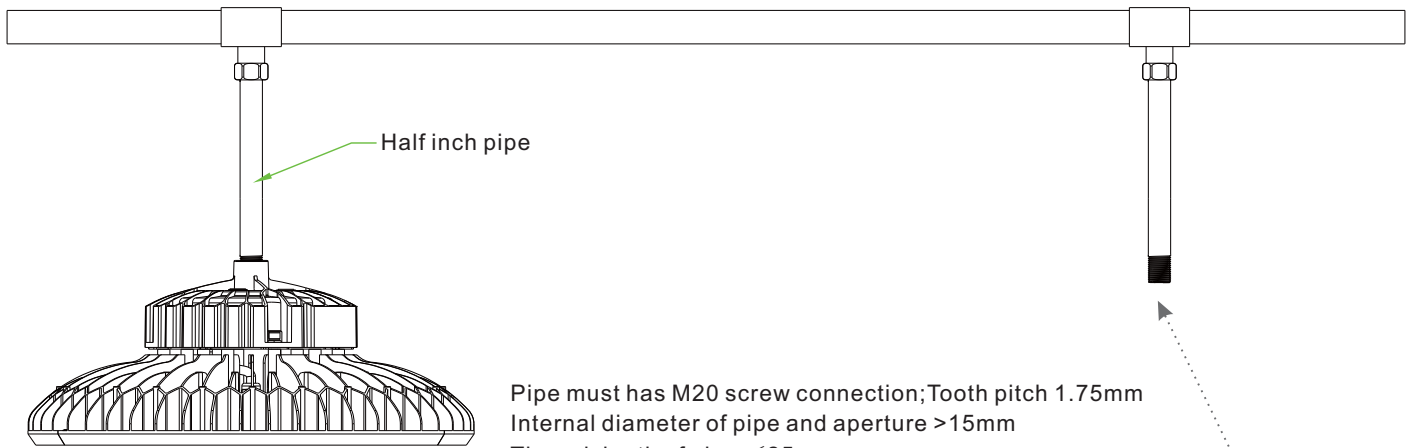
1. Please prepare one set of hangers, insert them into installation carrier in advance, and make sure the hangers and installation carrier meet bearing requirement;
2. Screw suspendent ring into installation position of lamp body, and tighten it;
3. Prepare one iron chain as extension carrier;
4. Hook one end of iron chain on lamp body, and hook another end on hanger.



- sensor suspendant rope (the hook bear the weight of sensor to avoid lamp incline.)
- adjust length of steel wire via control valve until lamp body is balance
- Sensor components

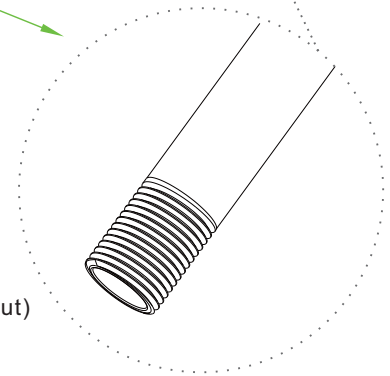


Half inch pipe installation

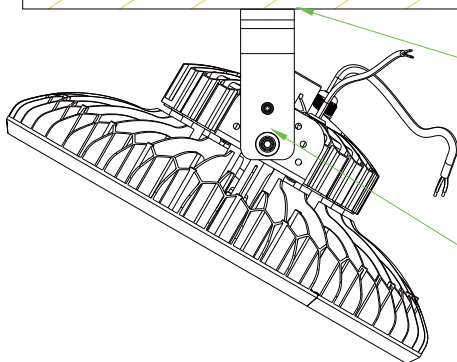


pipe installation is only suitable for specific installation environment, exclude any auxiliary accessories, and the installation method must conform to below requirements:

1. Ensure pipe can reach weight bearing requirements;
2. Pipe must have M20 screw connection;
3. Internal diameter of pipe and aperture > 15mm (minimum dimension of internal layout)
4. Thread depth of pipe < 25mm, recommend 20mm.

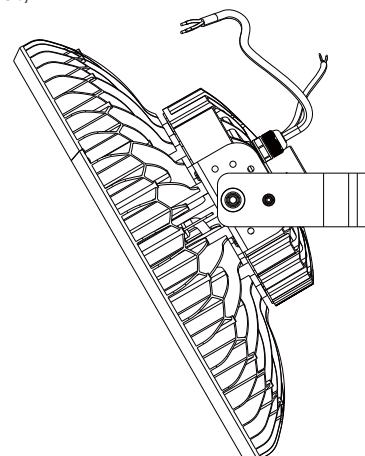
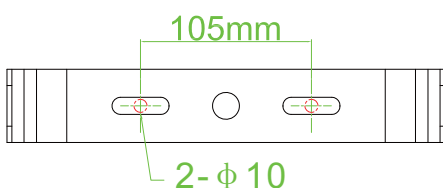


U-shape rotating bracket ceiling or wall installation



1. Prepare two sets of installation bolt, and drill two holes with $\leq \phi 10$ mm in advance, and ensure the installation body conform to bearing requirement;
2. Screw installation bolt into installation hole of lamp installation bracket, and tightening it;
3. Slightly loose fixing screws of bracket, and rotate lamp body to suitable installation angle;
4. Tightening bracket screws, at the same time tightening auxiliary anti-skid screw.

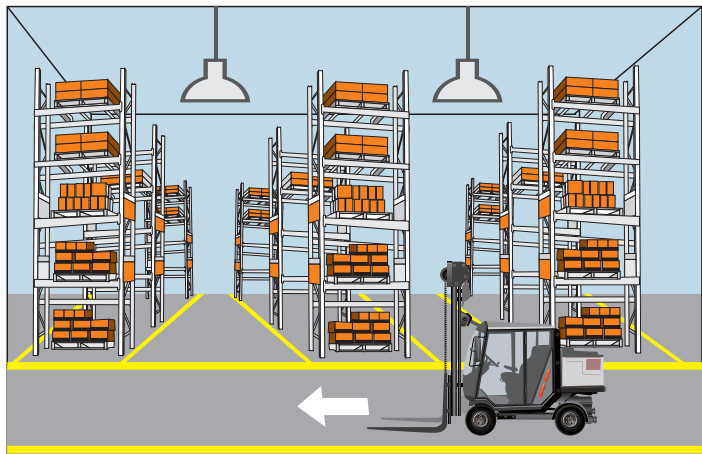
Recommend drilling hole dimension



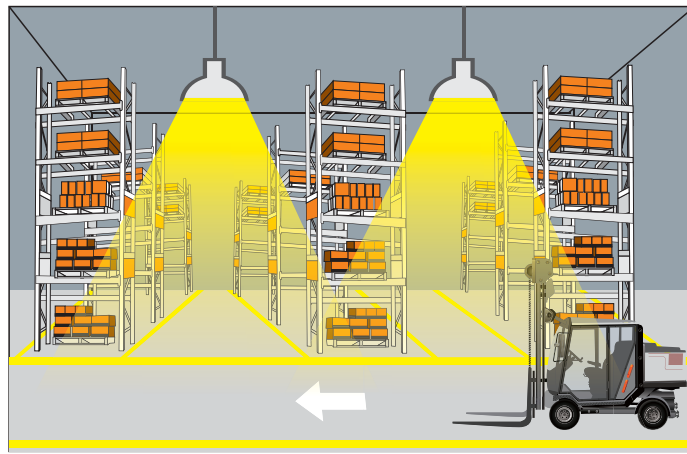


Motion-sensing Function

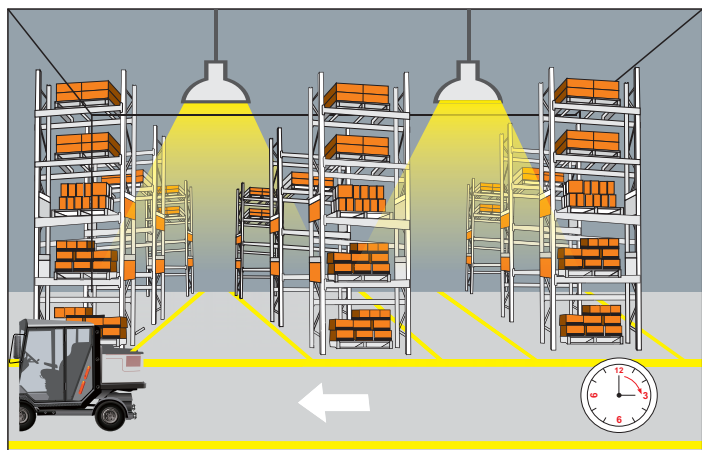
The Cibay high bay Lighting with sensor is innovative and active motion detectors with HF system 5.8GHz. Motion can be detected through plastic, glass and thin non-metal materials. except the higher mounting height 15m Max. Combination with 1-10V dimmable LED drivers , Cibay high bay Lighting with sensor can achieve 3-step dimming function, which is perfect for use in some areas that requires a light change notice before totally switch off. When enable the built-in adjustable daylight sensor, it can read brightness value, the sensor do not switch on the light if with sufficient natural light.



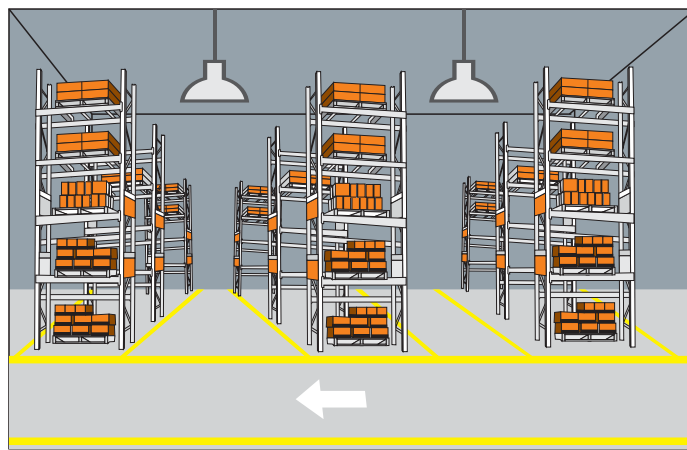
With sufficient ambient light, the sensor does not switch on the lamp.



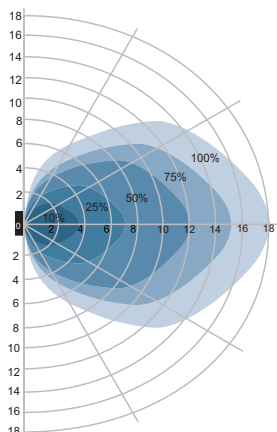
With insufficient ambient light, the sensor switch on the lamp when motion is detected.



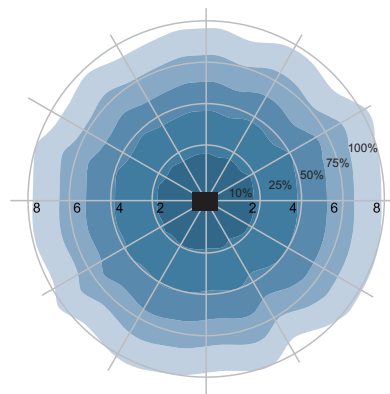
After hold time, the sensor dims the lamp at a low light level if no new motion trigger.



After stand-by period, the sensor switches off the lamp if no motion is detected in its detection zone.



Wall mounting pattern (Unit: m)
Suggested installation height: 1-2m

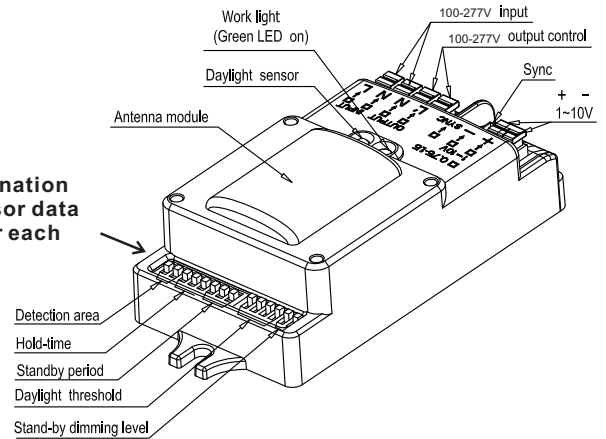


Ceiling mounting pattern (Unit: m)
Suggested installation height: 3-10m



Sensor function setting

By selecting the combination on the DIP switch, sensor data can be precisely set for each specific application.



ON ↑ [DIP Switch]		1	2	
	I	ON	ON	100%
	II	ON	-	75%
	III	-	ON	50%
	IV	-	-	10%

Detection area

Detection area can be reduced by selecting the combination on the DIP switches to fit precisely each application.
Factory setting: 100%

ON ↑ [DIP Switch]		3	4	5	
	I	ON	ON	ON	5s
	II	-	ON	ON	30s
	III	ON	-	ON	90s
	IV	-	-	ON	3min
	V	ON	ON	-	20min
	VI	-	-	-	30min

Hold time

Refers to the time period the lamp remains at 100% illumination after no motion detected.
Factory setting: 3min

ON ↑ [DIP Switch]		6	7	8	
	I	ON	ON	ON	0s
	II	-	ON	ON	5s
	III	ON	-	ON	5min
	IV	-	-	ON	10min
	V	ON	ON	-	30min
	VI	-	ON	-	1h
	VII	-	-	-	+∞

Stand-by period

Refers to the time period the lamp remains at a pre-setting -dimming level before it completely switches off in the long absence of people
Factory setting: 1min

ON ↑ [DIP Switch]		1	2	3	4	
	I	-	-	ON	ON	2Lux
	II	-	-	-	ON	5Lux
	III	-	ON	ON	-	10Lux
	IV	-	-	ON	-	25Lux
	V	-	ON	-	-	50Lux
	VI	ON	-	-	-	100Lux
	VII	-	-	-	-	Disable

Daylight sensor

The sensor can be set to only allow the lamp to illuminate below a defined ambient brightness threshold. When set to Disable mode, the daylight sensor will switch on the lamp when motion is detected regardless of ambient level.
Note that daylight sensor is active only when lamp totally switches off.
Factory setting: Disable

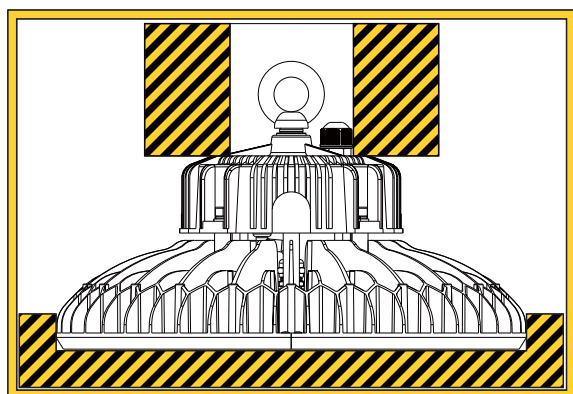
ON ↑ [DIP Switch]		5	6	
	I	ON	ON	50%
	II	-	ON	30%
	III	ON	-	20%
	IV	-	-	10%

Stand-by dimming level

This is the pre-setting dimming level you would like to have after the hold time in the long absence of people.
Factory setting: 20%



Package information:



Model	Power	Net weight	box dimension	Pack Quantity	Gross Weight Per CTN	match with U-shape bracket
02/04 D02/D04	100W	4.60Kg	385*385*270mm	1pcs	5.50Kg	6.50Kg
	150W	5.10Kg	385*385*270mm	1pcs	6.00Kg	7.00Kg
	200W	7.15Kg	465*465*290mm	1pcs	8.40Kg	9.40Kg
	240W	7.15Kg	465*465*290mm	1pcs	8.40Kg	9.40Kg
S02/S04	100W	5.60Kg	440*440*270mm	1pcs	6.85Kg	7.85Kg
	150W	6.10Kg	440*440*270mm	1pcs	7.35Kg	8.35Kg
	200W	8.15Kg	495*495*290mm	1pcs	9.75Kg	10.75Kg
	240W	8.15Kg	495*495*290mm	1pcs	9.75Kg	10.75Kg
E02/E04 F02/F04	100W	7.60Kg	385*385*370mm	1pcs	8.60Kg	9.60Kg
	150W	8.10Kg	385*385*370mm	1pcs	9.10Kg	10.10Kg
	200W	10.15Kg	465*465*390mm	1pcs	11.50Kg	12.50Kg
	240W	10.15Kg	465*465*390mm	1pcs	11.50Kg	12.50Kg
G02/G04	100W	8.65Kg	440*440*370mm	1pcs	10.00Kg	11.00Kg
	150W	9.15Kg	440*440*370mm	1pcs	10.50Kg	11.50Kg
	200W	11.20Kg	495*495*390mm	1pcs	13.00Kg	14.00Kg
	240W	11.20Kg	495*495*390mm	1pcs	13.00Kg	14.00Kg

*: E02/F02/G02/E04/F04/G04 weight variable, Marked as maximum weight



Installation requirements:

1. Power off before installation, and read the instruction carefully;
2. Make sure the installation material can endure the lamp weight;
3. If choose installation method with suspending ring, first fix the suspending ring on the lamp securely, and hook the suspending bracket on the hanger;
4. If choose rotating bracket installation method, please prepare two sets of expansion bolts, and drill holes in the installation body, then install the lamp, finally screw down expansion bolts and bracket screws.
5. If choose suspending installation, please first prepare extension material first, and cover one end of extension medium on suspending ring of lamp body, then hook another end on the hanger;
6. Connect lamp wire to matched power wire, and seal the joint with insulation.
7. No matter which kind of installation method, the lamp must be installed reliably to prevent loosening and falling off.

Notice:

1. Please first read the product specification carefully, make sure the using environment conform to specification, then it can be used;
2. Please confirm the input voltage, frequency before use;
3. This product must be installed by professionals;
4. If there is any damage to the power wire or shell of the product, it should be taken as defective product and do not use it;
5. Dangerous high voltage, non-professionals are not allowed to maintain the product;
6. If external soft cable or soft wire of the light is damaged, it should be replaced by manufacturer or service agent or personnel with similar qualification to avoid danger.