



iLight LED Corn Lamp IP64



12W



20W



27W



36W



45W



54W

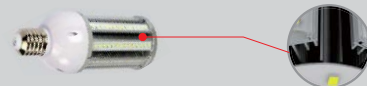


Features

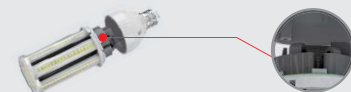
1. Max. 120lm/W. Epistar chip 2835.



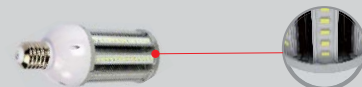
2. Pure Aluminum 1070, better heat dissipation .



3. Driver sealed with thermal paste, lower working temperature and waterproof.



4. Cove and holes surrounded for water flowing away



5. Transparent PC cover to protect LED.



6. IP64



7. Flame retardant material.



8. Replace HPS, MHL, HQL, HID, CFL Lamps, applicable in enclosed illuminaires

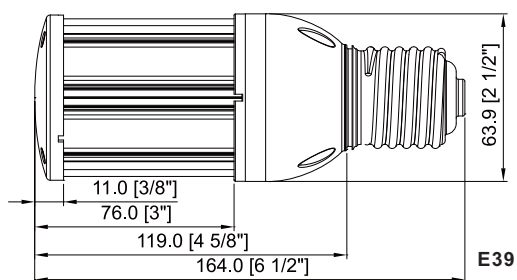


Specifications

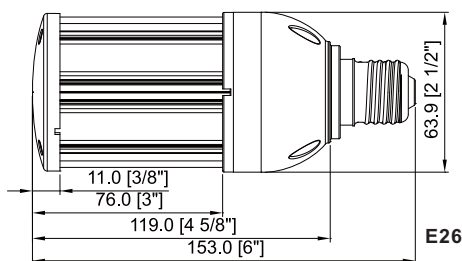
Model Number	Color	LED Type	LED Quantity	Base	Light Output (lumen)	Beam Angle (degrees)	CCT	Max.Current (Amps)	Power (W)	Voltage
FR26-012-AW-W-01	White	2835 LED	70	E26	1400	330	5500-7000K	0.16	12	100-277V AC
FR26-012-AW-NW-01	Natural white	2835 LED	70	E26	1300	330	4000K-4500K	0.16	12	100-277V AC
FR26-012-AW-WW-01	warm white	2835 LED	70	E26	1220	330	2700-3200K	0.16	12	100-277V AC
FR39-012-AW-W-02	White	2835 LED	70	E39	1400	330	5500-7000K	0.16	12	100-277V AC
FR39-012-AW-NW-02	Natural white	2835 LED	70	E39	1300	330	4000K-4500K	0.16	12	100-277V AC
FR39-012-AW-WW-02	warm white	2835 LED	70	E39	1220	330	2700-3200K	0.16	12	100-277V AC
FR26-020-AW-W-01	White	2835 LED	98	E26	2300	330	5500-7000K	0.25	20	100-277V AC
FR26-020-AW-NW-01	Natural white	2835 LED	98	E26	2050	330	4000K-4500K	0.25	20	100-277V AC
FR26-020-AW-WW-01	warm white	2835 LED	98	E26	1900	330	2700-3200K	0.25	20	100-277V AC
FR39-020-AW-W-02	White	2835 LED	98	E39	2300	330	5500-7000K	0.25	20	100-277V AC
FR39-020-AW-NW-02	Natural white	2835 LED	98	E39	2050	330	4000K-4500K	0.25	20	100-277V AC
FR39-020-AW-WW-02	warm white	2835 LED	98	E39	1900	330	2700-3200K	0.25	20	100-277V AC
FR26-027-AW-W-01	White	2835 LED	108	E26	3200	330	5500-7000K	0.3	27	100-277V AC
FR26-027-AW-NW-01	Natural white	2835 LED	108	E26	2800	330	4000K-4500K	0.3	27	100-277V AC
FR26-027-AW-WW-01	warm white	2835 LED	108	E26	2620	330	2700-3200K	0.3	27	100-277V AC
FR39-027-AW-W-02	White	2835 LED	108	E39	3200	330	5500-7000K	0.3	27	100-277V AC
FR39-027-AW-NW-02	Natural white	2835 LED	108	E39	2800	330	4000K-4500K	0.3	27	100-277V AC
FR39-027-AW-WW-02	warm white	2835 LED	108	E39	2620	330	2700-3200K	0.3	27	100-277V AC
FR26-036-AW-W-01	White	2835 LED	135	E26	4200	330	5500-7000K	0.4	36	100-277V AC
FR26-036-AW-NW-01	Natural white	2835 LED	135	E26	3900	330	4000K-4500K	0.4	36	100-277V AC
FR26-036-AW-WW-01	warm white	2835 LED	135	E26	3450	330	2700-3200K	0.4	36	100-277V AC
FR39-036-AW-W-02	White	2835 LED	135	E39	4200	330	5500-7000K	0.4	36	100-277V AC
FR39-036-AW-NW-02	Natural white	2835 LED	135	E39	3900	330	4000K-4500K	0.4	36	100-277V AC
FR39-036-AW-WW-02	warm white	2835 LED	135	E39	3450	330	2700-3200K	0.4	36	100-277V AC
FR26-045-AW-W-01	White	2835 LED	180	E26	5400	330	5500-7000K	0.5	45	100-277V AC
FR26-045-AW-NW-01	Natural white	2835 LED	180	E26	5100	330	4000K-4500K	0.5	45	100-277V AC
FR26-045-AW-WW-01	warm white	2835 LED	180	E26	4500	330	2700-3200K	0.5	45	100-277V AC
FR39-045-AW-W-02	White	2835 LED	180	E39	5400	330	5500-7000K	0.5	45	100-277V AC
FR39-045-AW-NW-02	Natural white	2835 LED	180	E39	5100	330	4000K-4500K	0.5	45	100-277V AC
FR39-045-AW-WW-02	warm white	2835 LED	180	E39	4500	330	2700-3200K	0.5	45	100-277V AC
FR26-054-AW-W-01	White	2835 LED	216	E26	6400	330	5500-7000K	0.6	54	100-277V AC
FR26-054-AW-NW-01	Natural white	2835 LED	216	E26	6200	330	4000K-4500K	0.6	54	100-277V AC
FR26-054-AW-WW-01	warm white	2835 LED	216	E26	5400	330	2700-3200K	0.6	54	100-277V AC
FR39-054-AW-W-02	White	2835 LED	216	E39	6400	330	5500-7000K	0.6	54	100-277V AC
FR39-054-AW-NW-02	Natural white	2835 LED	216	E39	6200	330	4000K-4500K	0.6	54	100-277V AC
FR39-054-AW-WW-02	warm white	2835 LED	216	E39	5400	330	2700-3200K	0.6	54	100-277V AC



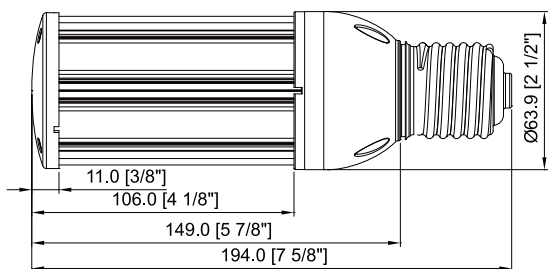
Dimensions (Unit: mm)



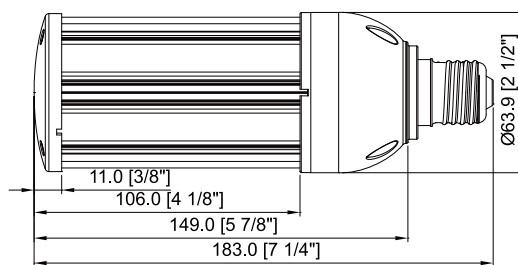
12W



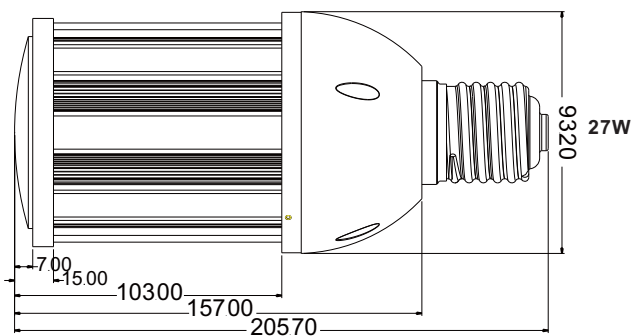
E26



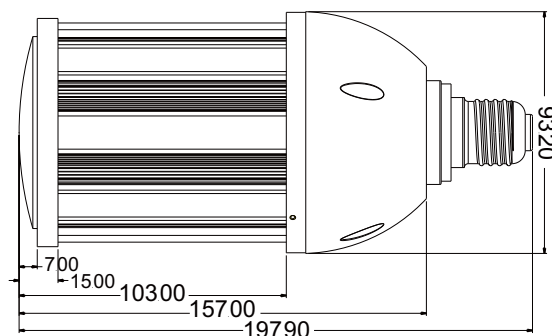
E39



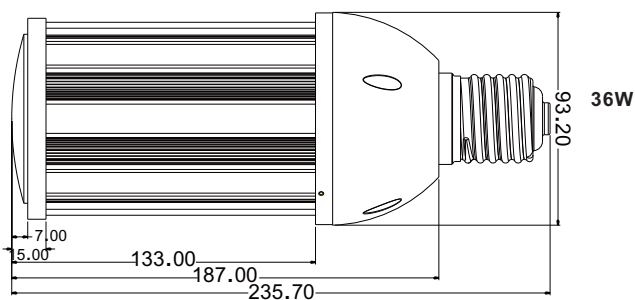
E26



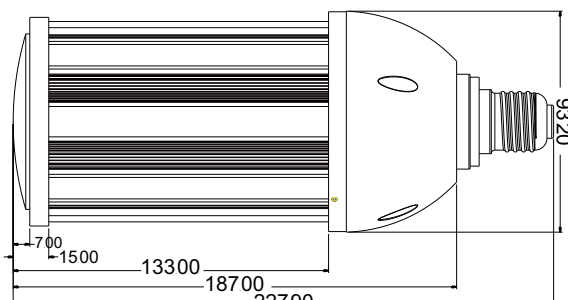
E39



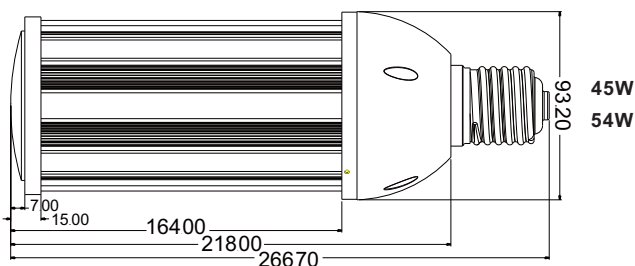
E26



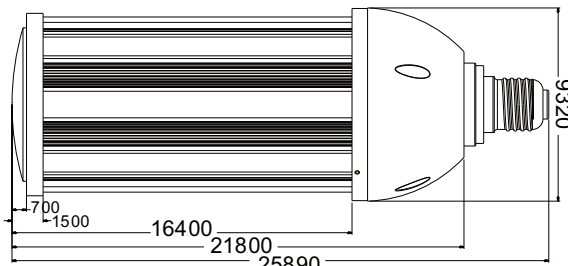
E39



E26



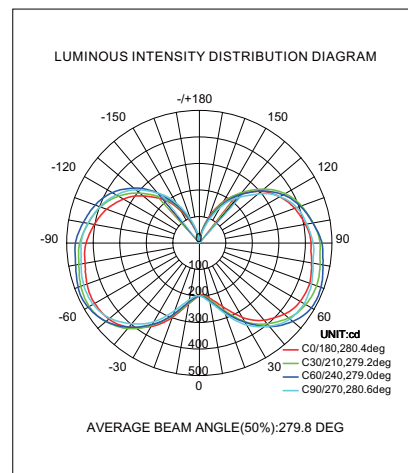
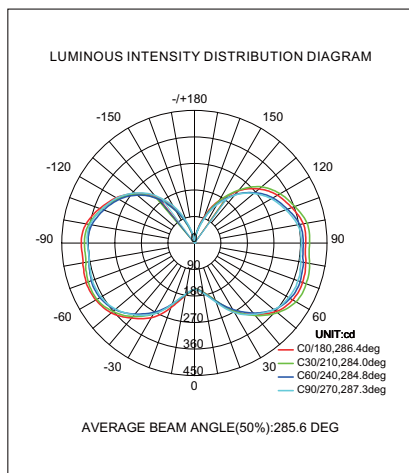
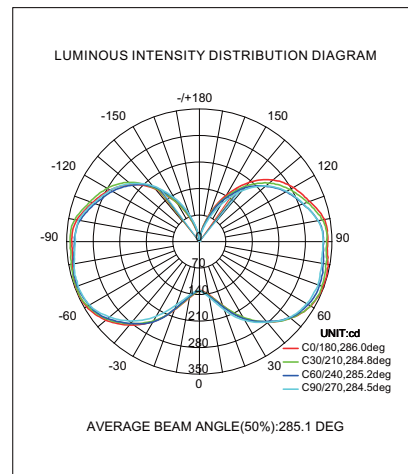
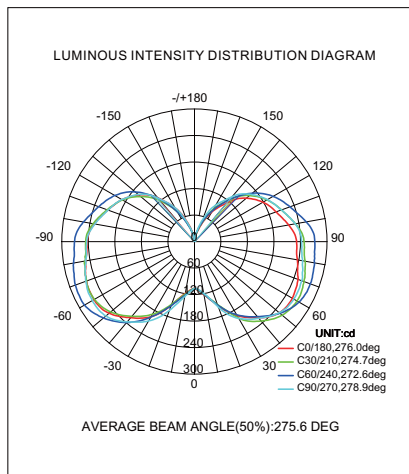
E39



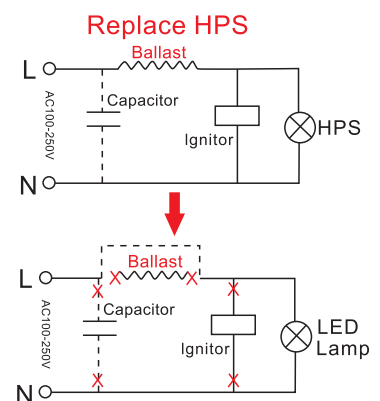
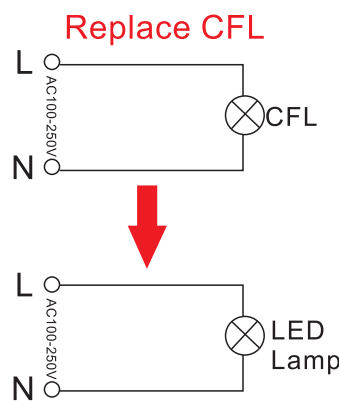
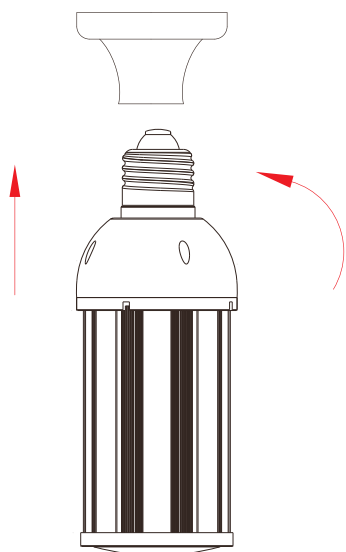
E26



Luminous Intensity Distribution Diagram



Installation





Main Applications



Widely use in slow lane, narrow lane, residential area, scenic spot, park, square and other public places for indoor or outdoor lighting and replace traditional sodium lamp and energy-saving lamp.





Packing information:

12W Inner box dimension(K3A paper):75*75*185MM
Product gross weight:0.28KG
Product net weight:0.32KG
Carton box dimension(A=K paper, 16 PCS inside):315*315*220MM
Carton box gross weight:5.12KG

20W Inner box dimension(K3A paper):75*75*215MM
Product gross weight:0.34KG
Product net weight:0.39KG
Carton box dimension(A=K paper, 16 PCS inside):315*315*250MM
Carton box gross weight:6.24KG

27W Inner box dimension(K3A paper):120*120*240MM
Product gross weight:0.75KG
Product net weight:0.64KG
Carton box dimension(A=K paper, 24 PCS inside):510*380*500MM
Carton box gross weight:18.9KG

36W Inner box dimension(K3A paper):120*120*260mm
Product gross weight:0.83KG
Product net weight:0.72KG
Carton box dimension(A=K paper, 24 PCS inside):510*380*560mm
Carton box gross weight:20.8KG

45W Inner box dimension(K3A paper):120*120*290mm
Product gross weight:0.92KG
Product net weight:0.8KG
Carton box dimension(A=K paper, 24 PCS inside):510*380*620mm
Carton box gross weight:23KG

54W Inner box dimension(K3A paper):120*120*290mm
Product gross weight:0.97KG
Product net weight:0.85KG
Carton box dimension(A=K paper, 24 PCS inside):510*380*620mm
Carton box gross weight:24.3KG



Notice

1. Please read the specification first, to make sure the service environment matches the condition in the specification before using.
2. Please confirm the applicable power supply before using.
3. Use ambient environment: -35°C to 45°C , ambient temperature in closed space Max 80°C .
4. Make sure the switch of product is off before connect to the power supply to prevent electric shock.
5. Operation against rules may damage your property even harm to your personal safety.
6. For all models have been suitable for use in totally enclosed luminaires.
7. Dangerous high voltage, Non-professionals are not allowed to maintain the products.