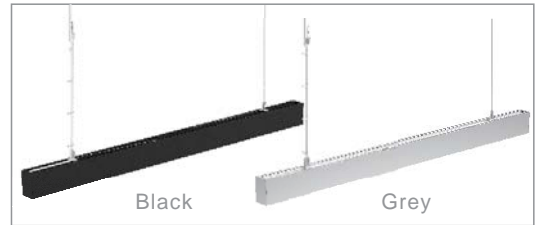




LED Linear Light

SL10075 in single run (0-10V Dimming)



Description

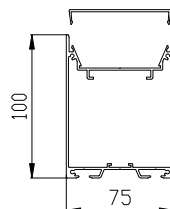
LED linear light is exclusively designed for designer and architect with imagination and personal style. LED linear light adopt premium aluminum profile, different dimension and size, easy to install. 3 types installation method: ceiling mounted type, suspended type and embedded type, and different customized dimensions are also acceptable, which can meet installation requirement of different fields and occasions.

Features

1. Simple and modern design, screwless at end cap.



2. Extrusion aluminum lamp body and PC cover.

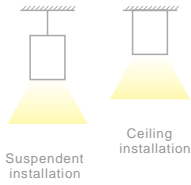


3. Smooth and soft lighting effect, no dark dot and shadow at the lighting area.





4. Various installation: Suspended, ceiling and recessed.



5. Three colors of lamp body, white, black and silver.



Specifications

Model	CCT	LED Type	Lumen(lm) (±10%)	Power(W) (±10%)	Length(feet)	Voltage (V)
SC-SL10075-020-AW-A-01W	5000K	2835	2056 lm	20W	2 feet	AC 100-277V 50/60Hz
SC-SL10075-020-AW-A-01NW	4000K		2072 lm	20W	2 feet	
SC-SL10075-020-AW-A-01WW	3000K		1955 lm	20W	2 feet	
SC-SL10075-040-AW-A-01W	5000K	2835	3905 lm	40W	4 feet	AC 100-277V 50/60Hz
SC-SL10075-040-AW-A-01NW	4000K		3871 lm	40W	4 feet	
SC-SL10075-040-AW-A-01WW	3000K		3664 lm	40W	4 feet	
SC-SL10075-050-AW-A-01W	5000K	2835	5264 lm	50W	5 feet	AC 100-277V 50/60Hz
SC-SL10075-050-AW-A-01NW	4000K		5043 lm	50W	5 feet	
SC-SL10075-050-AW-A-01WW	3000K		4986 lm	50W	5 feet	
SC-SL10075-075-AW-A-01WW	5000K	2835	7875 lm	75W	8 feet	AC 100-277V 50/60Hz
SC-SL10075-075-AW-A-01WW	4000K		7890 lm	75W	8 feet	
SC-SL10075-075-AW-A-01WW	3000K		7600 lm	75W	8 feet	
Beam angle	PF	CRI	IP	Life span	Reflector	
110°	>0.95	≥80	IP40	50000hrs	Milky cover	

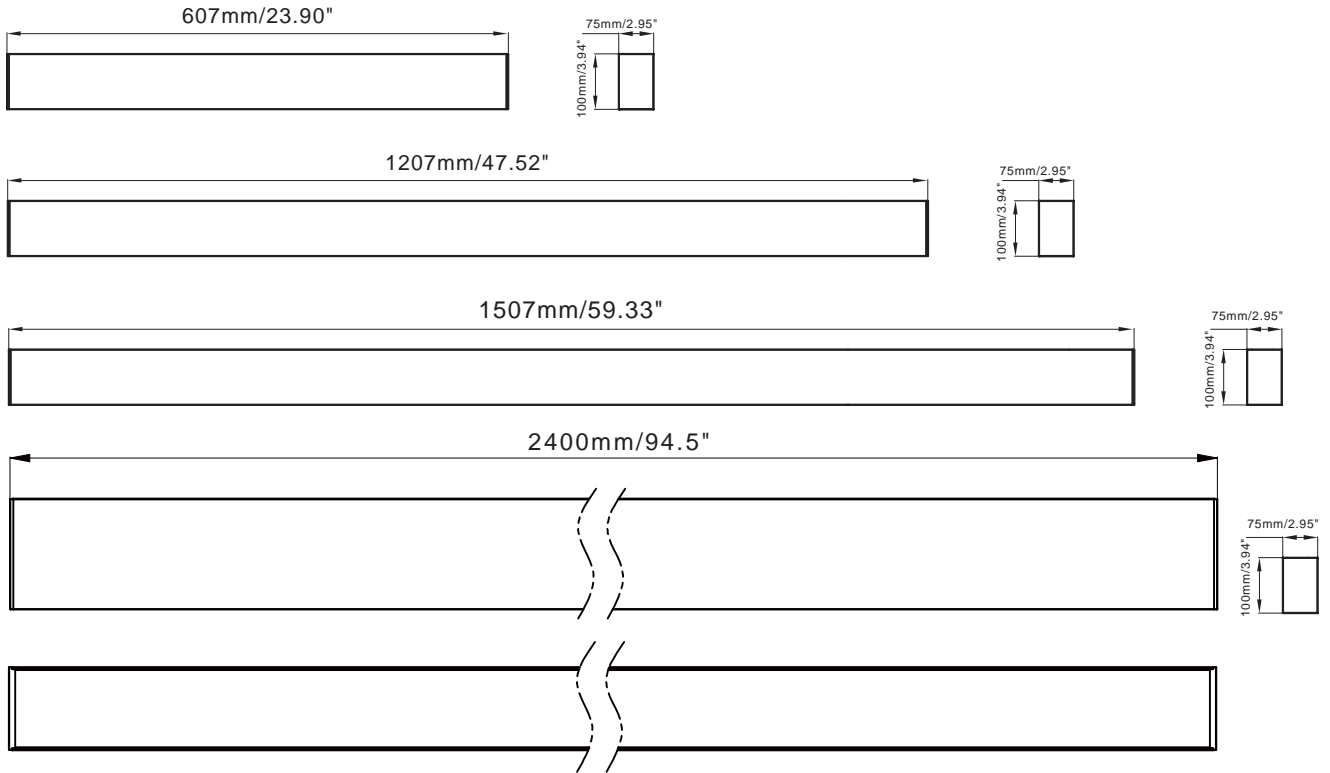
Applications

Suitable for hotels, conference rooms, factories, offices, commercial purposes, institution buildings, schools, colleges, universities, hospitals and other places which needs energy saving and high color rendering index lighting.

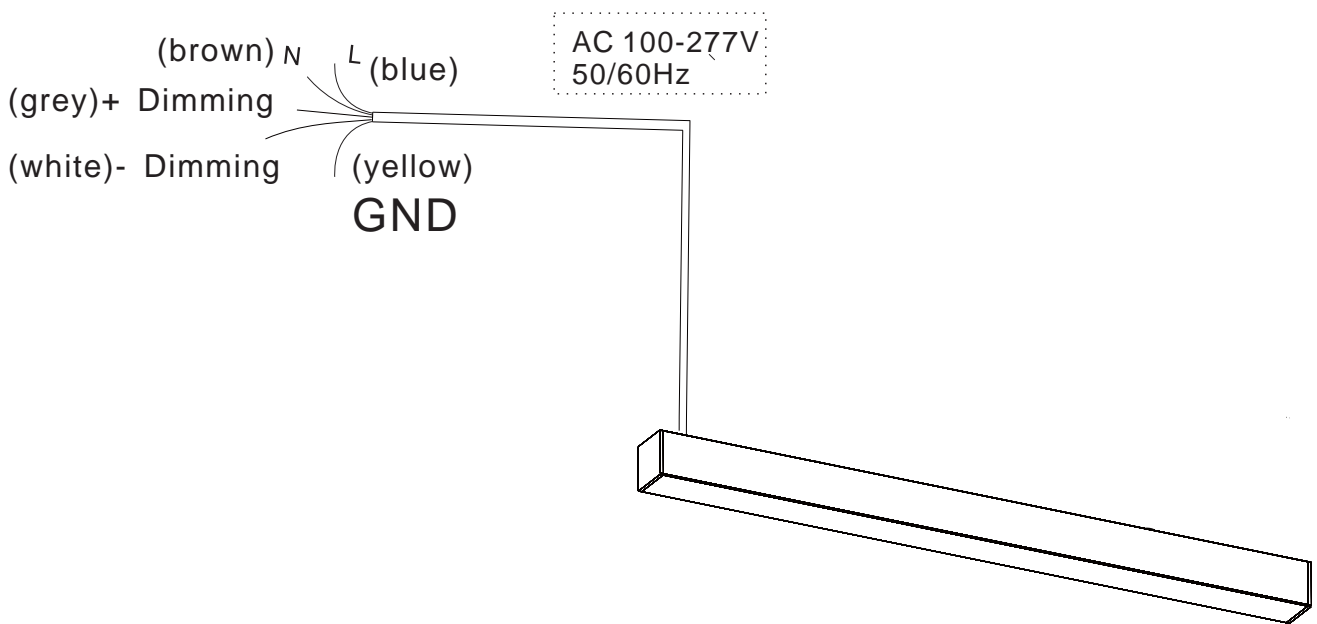




Dimensions (Unit: mm/inch)



Electrical Connection



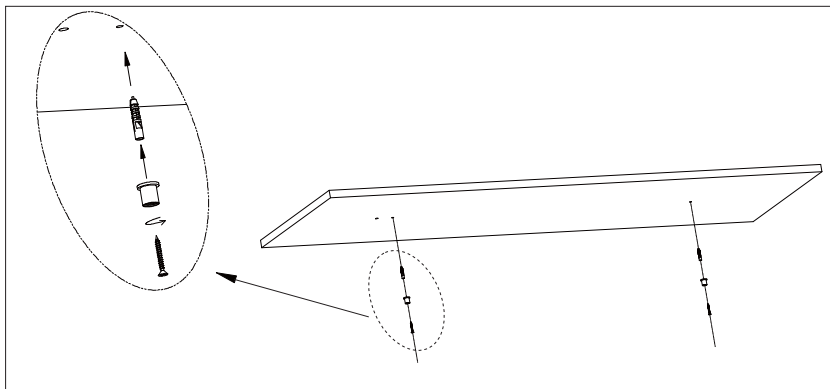
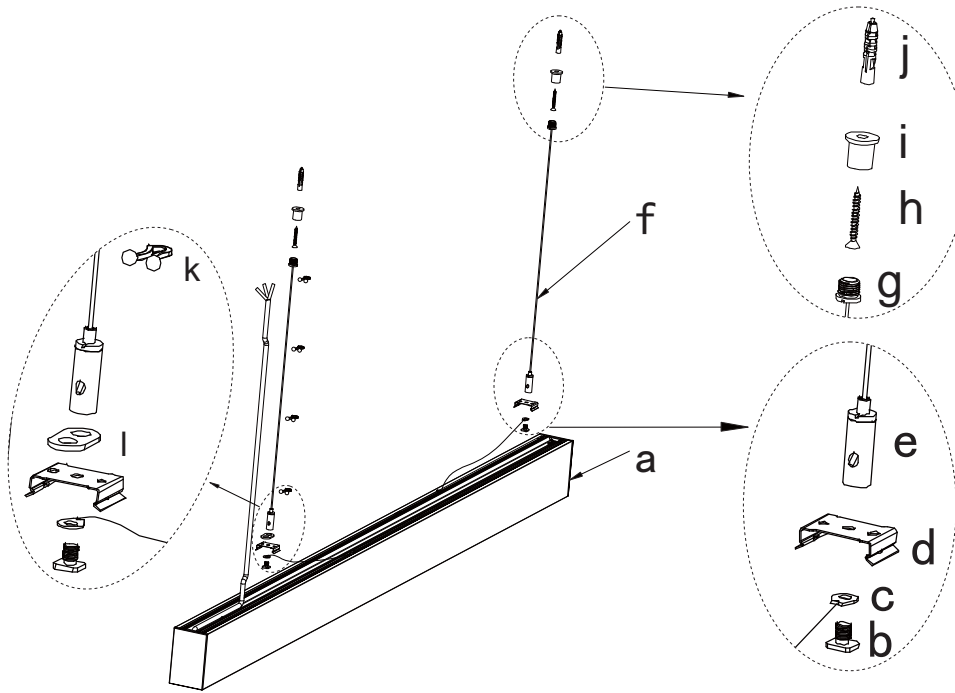


How to install

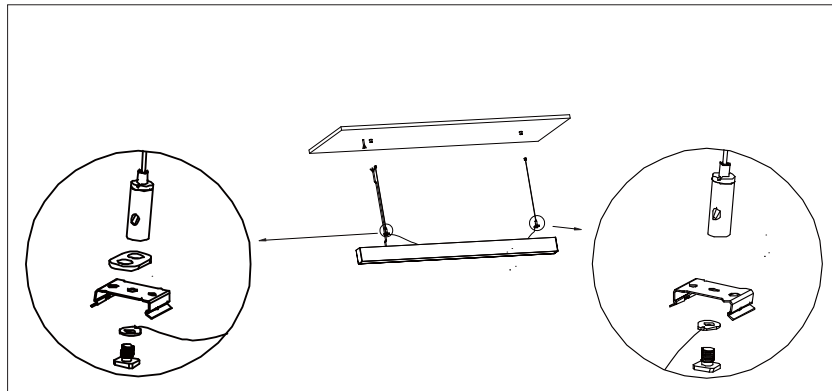
Suspendent installation

Step1: Accessories

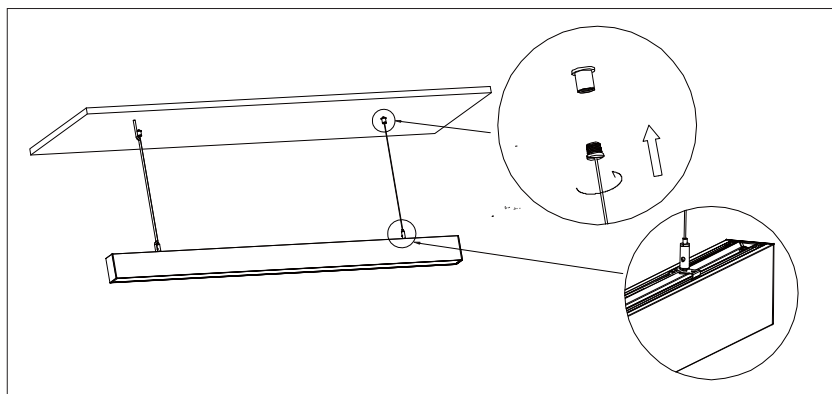
a. 10075 lamp body	1pcs	b. square-head screw	2pcs	c. safety rope	4pcs	d. clip	2pcs
e. sewing machine	2pcs	f. suspendent rope	2pcs	g. fixing head 1	2pcs	h. 4X30PA screw	2pcs
l. fixing head 2	2pcs	j. rubber plug	2pcs	k. 8-figure buckle	1pcs	l. doubling clamp	4pcs



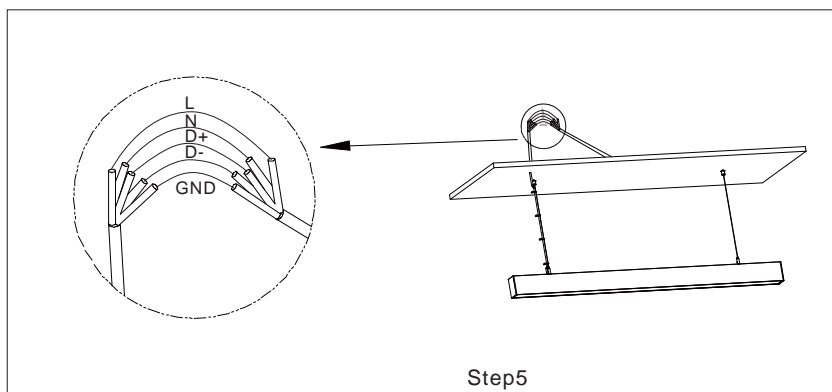
Step2: Drill hole in the ceiling, push the rubber plug into the ceiling, fix the fixing head 2 in the ceiling with 4X30PA screw.



Step3:a. Suspendent method on the left: thread the squre-head screw through fixing hole of safety rope, clamp and 8-figure buckle, and fixed with sewing machine;
 b. Suspendent method on the right: thread the squre-head screw through fixing hole of safety rope, clamp, and fixed with sewing machine.



Step4:a. Suspendent method on the left: thread the power wire through 8-figure buckle fixed on the left, then intall the whole set of fixing clip on the lamp;
 b. Suspendent method on the right install the clip on the lamp.



Step5: fix the fixing head 1 with fixing head 2 tightly, and adjust suspendent rope with sewing machine to balance the lamp, finally connnect input wire of lamp;

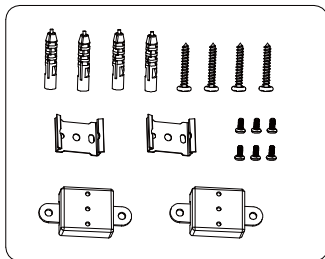
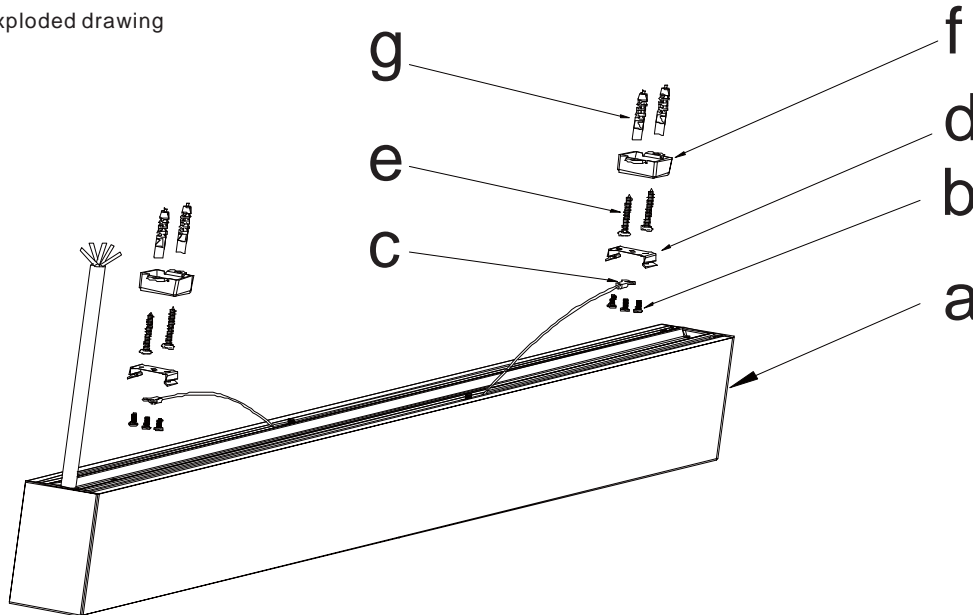


Ceiling installation

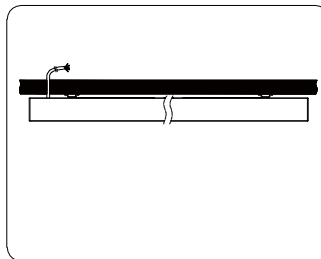
Step1:Accessories

a. 10075 lamp body	1pcs	b. screw	6pcs	c. safety rope	2pcs	d. clip	2pcs
e. screw	2pcs	f. elevated part of clip	2pcs	g. rubber plug	4pcs		

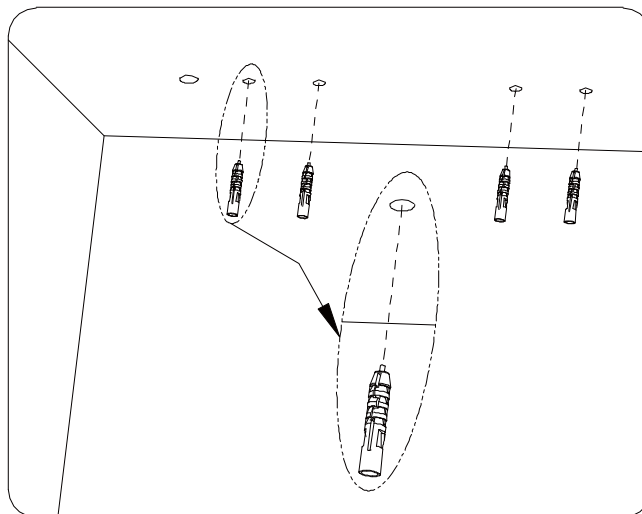
ceiling exploded drawing



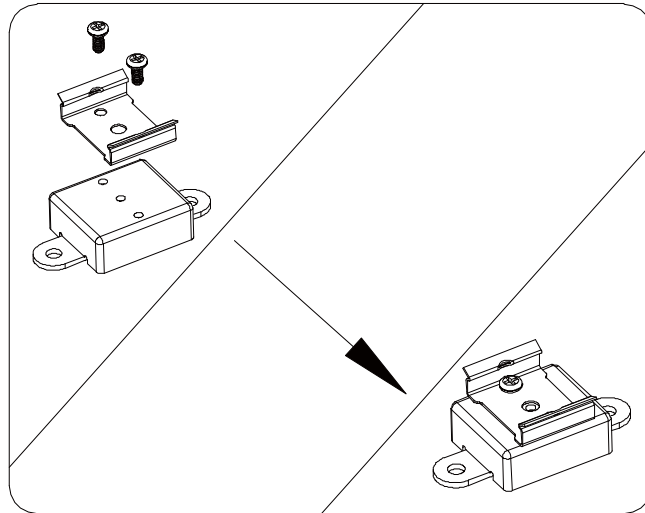
ceiling accessories



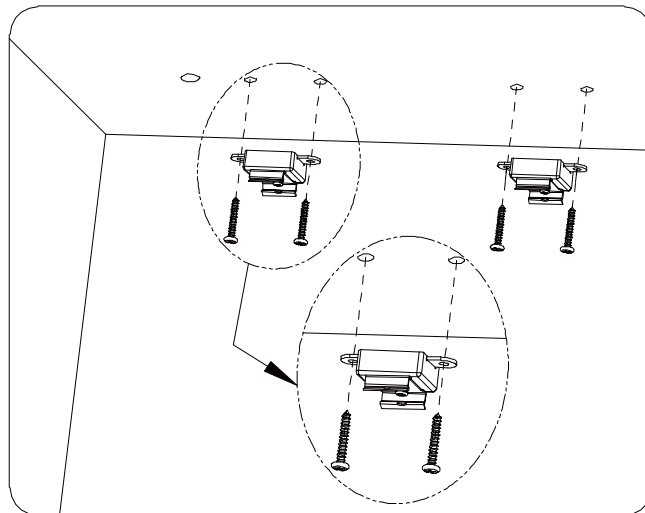
installation diagram



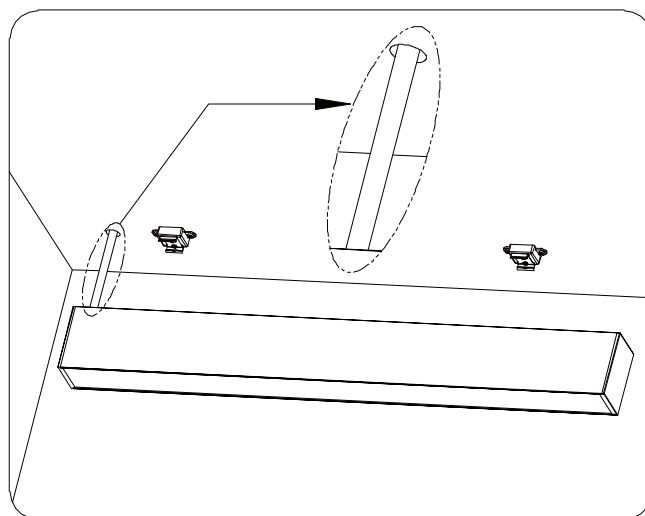
1. Plan hole distance, and drill 4 holes of 3.0mm ϕ and 1 hole of 10.0mm ϕ ;



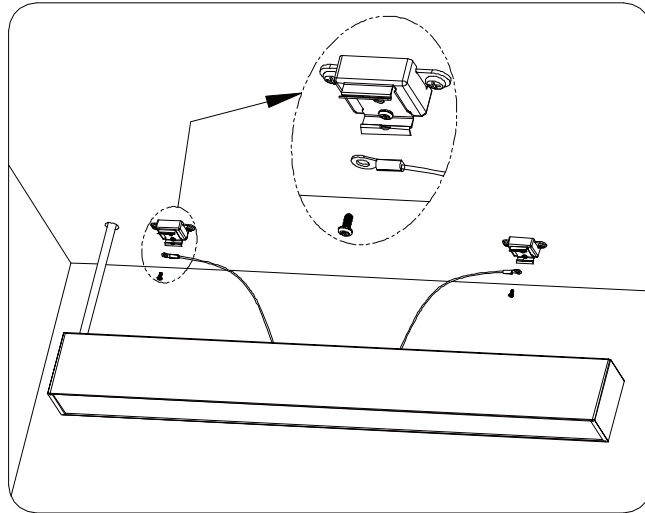
2. Fasten clip and elevated parts of clip with screws;



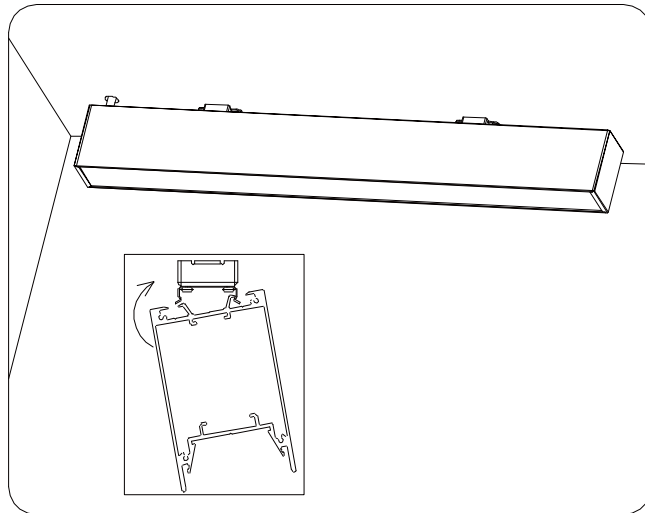
3. Fasten assembled clip kits in plastic rubber of ceiling with screws;



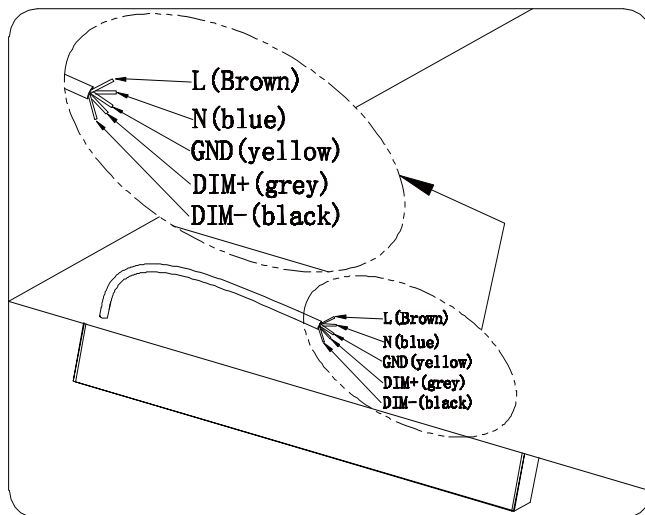
4. Thread AC input wire of lamp through another side of ceiling;



5. Thread screw through fixing hole of safety hole, then fasten it with clips kits;



6. According above detailed figure, first snap one side on clip kits, then rotate it to inatall on another side of clip kits;



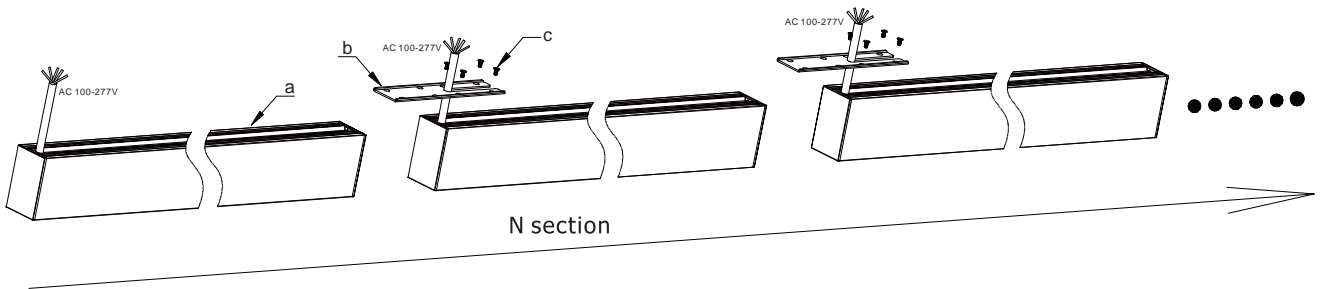
7. Connect AC according mark on the input wire, then illuminate lamp, installation finish.



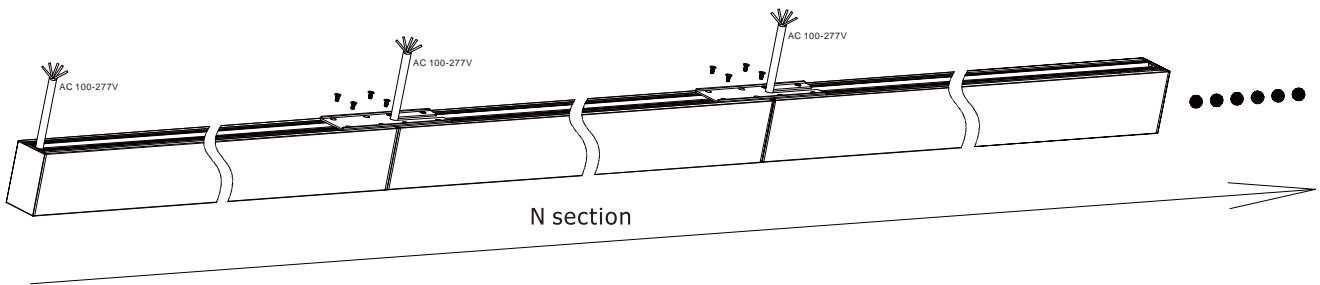
How to connect

Step1: Accessories

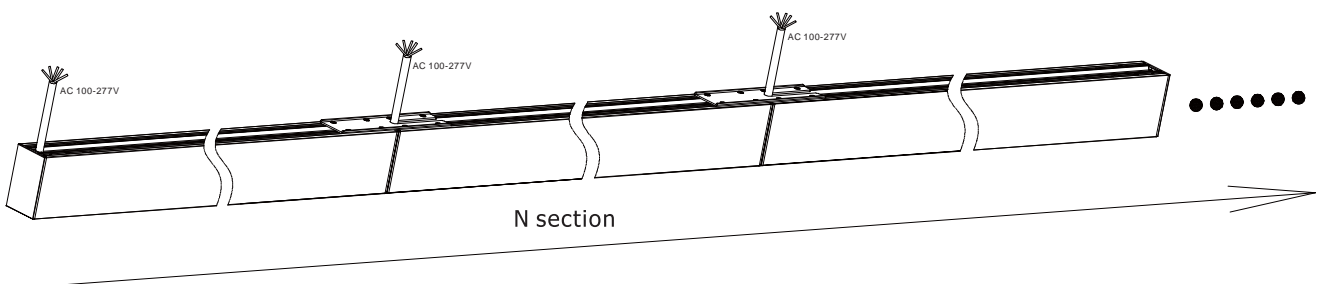
a. 10075 lamp body 1 pcs	b. connected sections(N-1)pcs	c. csrew (N-1)*8pcs
--------------------------	-------------------------------	---------------------



1. Snap AC input wire of lamp head into U-shape notch of connected section, then align fixing hole of connected section to fixing hole on lamp, finally fasten connected section and lamp with screws;



2. Align fixing hole of other side to fixing hole of lamp tail, then fasten connection section and lamp;



3. Installation finis



Product packaging information:

20W	40W
<ul style="list-style-type: none"> ● Net weight/PC:2.1kg ● Ceiling gross weight/CTN:27.6kg Suspendent gross weight/CTN:28kg ● Inner size:675X150X132mm ● Carton size:692X629X414mm ● 1pcs/inner box,12 inner boxes/carton. 	<ul style="list-style-type: none"> ● Net weight/PC:3.6kg ● Ceiling gross weight/CTN:24.2kg Suspendent gross weight/CTN:25kg ● Inner size:1230X150X132mm ● Carton size:1270X462X288mm ● 1pcs/inner box,6 inner boxes/carton.
50W	75W
<ul style="list-style-type: none"> ● Net weight/PC:4.6kg ● Ceiling gross weight/CTN:30.8kg Suspendent gross weight/CTN:31.3kg ● Inner size:1564X165X132mm ● Carton size:1583X516X282mm ● 1pcs/inner box,6 inner boxes/carton. 	<ul style="list-style-type: none"> ● Net weight/PC:6.1kg ● Ceiling gross weight/CTN:32.3kg Suspendent gross weight/CTN:32.8kg ● Inner size:2448X150X135mm ● Carton size:2462X315X288mm ● 1pcs/inner box,4 inner boxes/carton.

Notice

- 1.Please read the specification first, to make sure the service environment matches the condition in the specification before using.
- 2.Please confirm the applicable power supply before using.
- 3.Make sure the switch of product is off before connect to the power supply to prevent electric shock.
- 4.Operation against rules may damage your property even harm to your personal safety.
- 5.Preliminarily estimate required quantity of LED linear lights, then according to the power rating of single linear light to figure out the total power and design power supply plan.
- 6.Dangerous high voltage, Non-professionals are not allowed to maintain the products.
- 7.If the exterior flexible cable or wire is damaged, it must exchange by the supplier, its agent or other similar qualified personnels to avoid dangers.